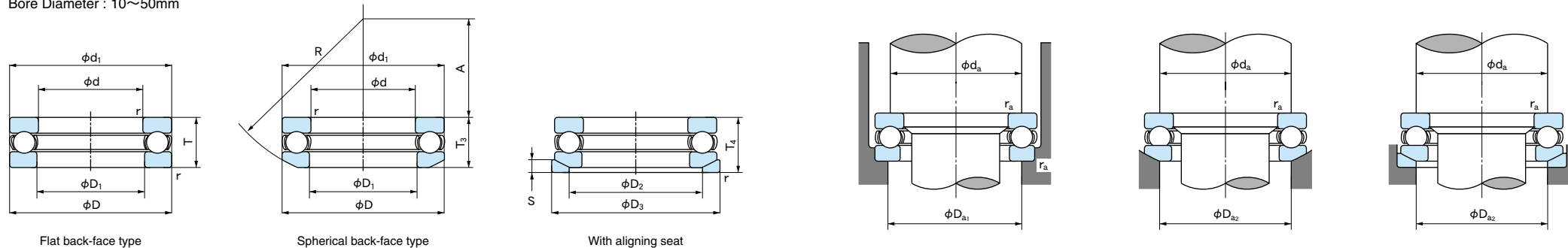


Single-direction Thrust Ball Bearings

Bore Diameter : 10~50mm



1N=0.102kgf

Boundary dimensions (mm)						Bearing No.			Basic dynamic load rating Ca (N)	Basic static load rating Coa (N)	Limiting speed (rpm)		Dimensions (mm)						Abutment and fillet dimensions (mm)				Mass (kg) Reference			Bearing No.	
d	D	T	T ₃	T ₄	r (min)	Flat back face type	Spherical back face type	With aligning seat			Grease lubrication	Oil lubrication	D ₁ (min)	d ₁ (max)	D ₂	D ₃	S	R	A	d _a (min)	D _{a1} (max)	D _{a2} (max)	r _a (max)	Flat back face type	Spherical back face type		With aligning seat
10	24	9	—	—	0.3	51100	—	—	10000	14000	6800	10000	11	24	—	—	—	—	18	16	—	0.3	0.020	—	—	51100	
	26	11	11.6	13	0.6	51200	53200	53200U	12700	17100	5900	8800	12	26	18	28	3.5	22	8.5	20	16	18	0.6	0.030	0.029	0.036	51200
12	26	9	—	—	0.3	51101	—	—	10300	15400	6500	9800	13	26	—	—	—	—	20	18	—	0.3	0.022	—	—	51101	
	28	11	11.4	13	0.6	51201	53201	53201U	13200	19000	5600	8500	14	28	20	30	3.5	25	11.5	22	18	20	0.6	0.034	0.033	0.041	51201
15	28	9	—	—	0.3	51102	—	—	10500	16800	6200	9400	16	28	—	—	—	—	23	20	—	0.3	0.024	—	—	51102	
	32	12	13.3	15	0.6	51202	53202	53202U	16600	24800	5100	7600	17	32	24	35	4	28	12	25	22	24	0.6	0.046	0.048	0.061	51202
17	30	9	—	—	0.3	51103	—	—	10800	18200	6000	9100	18	30	—	—	—	—	25	22	—	0.3	0.028	—	—	51103	
	35	12	13.2	15	0.6	51203	53203	53203U	17100	27300	4800	7300	19	35	26	38	4	32	16	28	24	26	0.6	0.053	0.055	0.070	51203
20	35	10	—	—	0.3	51104	—	—	14300	24700	5200	8000	21	35	—	—	—	—	29	26	—	0.3	0.040	—	—	51104	
	40	14	14.7	17	0.6	51204	53204	53204U	22200	37500	4200	6300	22	40	30	42	5	36	18	32	28	30	0.6	0.082	0.080	0.100	51204
25	42	11	—	—	0.6	51105	—	—	19500	37000	4600	6900	26	42	—	—	—	—	35	32	—	0.6	0.059	—	—	51105	
	47	15	16.7	19	0.6	51205	53205	53205U	27800	50500	3700	5600	27	47	36	50	5.5	40	19	38	34	36	0.6	0.120	0.125	0.160	51205
	52	18	19.8	22	1	51305	53305	53305U	35500	61500	3200	4900	27	52	38	55	6	45	21	41	36	38	1	0.180	0.185	0.225	51305
	60	24	26.4	29	1	51405	53405	53405U	55500	89500	2600	3900	27	60	42	62	8	50	19	46	39	42	1	0.340	0.350	0.420	51405
30	47	11	—	—	0.6	51106	—	—	20400	42000	4300	6500	32	47	—	—	—	—	40	37	—	0.6	0.068	—	—	51106	
	52	16	17.8	20	0.6	51206	53206	53206U	29300	58000	3400	5200	32	52	42	55	5.5	45	22	43	39	42	0.6	0.150	0.160	0.195	51206
	60	21	22.6	25	1	51306	53306	53306U	42500	78500	2800	4200	32	60	45	62	7	50	22	48	42	45	1	0.270	0.270	0.325	51306
	70	28	30.1	33	1	51406	53406	53406U	72500	126000	2200	3300	32	70	50	75	9	56	20	54	46	50	1	0.530	0.530	0.680	51406
35	52	12	—	—	0.6	51107	—	—	20400	44500	4000	6000	37	52	—	—	—	—	45	42	—	0.6	0.085	—	—	51107	
	62	18	19.9	22	1	51207	53207	53207U	39000	78000	2900	4400	37	62	48	65	7	50	24	51	46	48	1	0.220	0.220	0.290	51207
	68	24	25.6	28	1	51307	53307	53307U	55500	105000	2400	3700	37	68	52	72	7.5	56	24	55	48	52	1	0.390	0.390	0.475	51307
	80	32	34	37	1.1	51407	53407	53407U	87000	155000	1900	2900	37	80	58	85	10	64	23	62	53	58	1	0.790	0.790	0.950	51407
40	60	13	—	—	0.6	51108	—	—	26900	63000	3500	5300	42	60	—	—	—	—	52	48	—	0.6	0.120	—	—	51108	
	68	19	20.3	23	1	51208	53208	53208U	47000	98500	2700	4100	42	68	55	72	7	56	28.5	57	51	55	1	0.270	0.270	0.340	51208
	78	26	28.5	31	1	51308	53308	53308U	69000	135000	2200	3300	42	78	60	82	8.5	64	28	63	55	60	1	0.550	0.570	0.690	51308
	90	36	38.2	42	1.1	51408	53408	53408U	112000	205000	1700	2600	42	90	65	95	12	72	26	70	60	65	1	1.14	1.13	1.38	51408
45	65	14	—	—	0.6	51109	—	—	27800	69000	3300	4900	47	65	—	—	—	—	57	53	—	0.6	0.150	—	—	51109	
	73	20	21.3	24	1	51209	53209	53209U	47500	105000	2600	3900	47	73	60	78	7.5	56	26	62	56	60	1	0.320	0.320	0.410	51209
	85	28	30.1	33	1	51309	53309	53309U	80000	163000	2000	3000	47	85	65	90	10	64	25	69	61	65	1	0.690	0.680	0.850	51309
	100	39	42.4	46	1.1	51409	53409	53409U	129000	243000	1600	2400	47	100	72	105	12.5	80	29	78	67	72	1	1.47	1.50	1.80	51409
50	70	14	—	—	0.6	51110	—	—	28800	75500	3100	4700	52	70	—	—	—	—	62	58	—	0.6	0.160	—	—	51110	
	78	22	23.5	26	1	51210	53210	53210U	48500	112000	2400	3600	52	78	62	82	7.5	64	32.5	67	61	62	1	0.390	0.380	0.480	51210
	95	31	34.3	37	1.1	51310	53310	53310U	96500	202000	1800	2700	52	95	72	100	11	72	28	77	68	72	1	1.00	1.00	1.25	51310
	110	43	45.6	50	1.5	51410	53410	53410U	148000	283000	1400	2100	52	110	80	115	14	90	35	86	74	80	1.5	1.99	1.97	2.40	51410