

Item description/product images



Description

Material:

Steel or stainless steel (A 2)

Version:

Steel grade 8.8, black or electro zinc-plated.

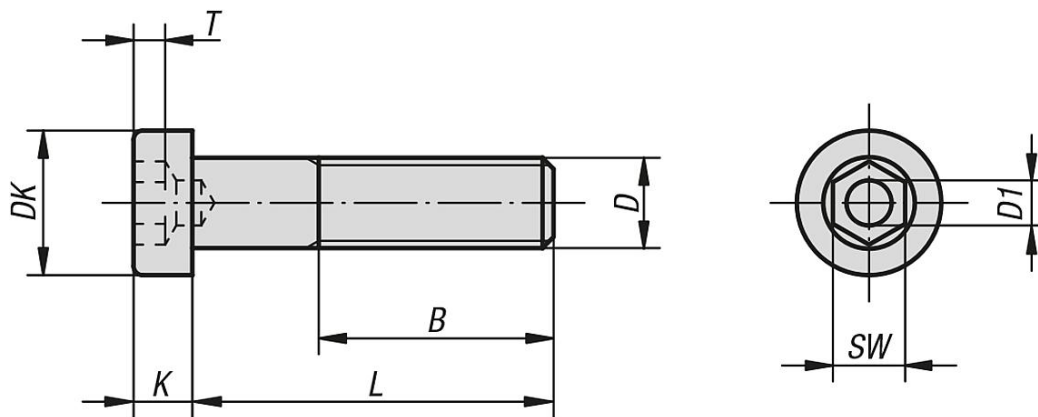
Steel grade 10.9, black.

Stainless steel A 2-70, bright.

Note:

Screws where the dimension L is < B are threaded up to the head. The screw length or thread length is specified by the dimension L. Screws where L is > B have a shaft.

Drawings



Overview of items

Order No.	Material	Grade	Surface finish body	D	L	B	DK	K	D1	SW	T
07161-04X10	steel	8.8	bright	M4	10	6,5	7	2,8	2	3	1,48
07161-04X12	steel	8.8	bright	M4	12	8,5	7	2,8	2	3	1,48
07161-04X16	steel	8.8	bright	M4	16	12,5	7	2,8	2	3	1,48
07161-04X20	steel	8.8	bright	M4	20	14	7	2,8	2	3	1,48
07161-04X25	steel	8.8	bright	M4	25	14	7	2,8	2	3	1,48
07161-05X10	steel	8.8	bright	M5	10	5,8	8,5	3,5	2,5	4	1,88
07161-05X12	steel	8.8	bright	M5	12	7,85	8,5	3,5	2,5	4	1,88
07161-05X16	steel	8.8	bright	M5	16	11,8	8,5	3,5	2,5	4	1,88
07161-05X20	steel	8.8	bright	M5	20	15,8	8,5	3,5	2,5	4	1,88
07161-05X25	steel	8.8	bright	M5	25	16	8,5	3,5	2,5	4	1,88
07161-05X30	steel	8.8	bright	M5	30	16	8,5	3,5	2,5	4	1,88
07161-06X10	steel	8.8	bright	M6	10	4,5	10	4	3	5	2,38
07161-06X12	steel	8.8	bright	M6	12	6,5	10	4	3	5	2,38
07161-06X16	steel	8.8	bright	M6	16	10,5	10	4	3	5	2,38
07161-06X20	steel	8.8	bright	M6	20	14,5	10	4	3	5	2,38
07161-06X25	steel	8.8	bright	M6	25	19,5	10	4	3	5	2,38
07161-06X30	steel	8.8	bright	M6	30	18	10	4	3	5	2,38
07161-06X35	steel	8.8	bright	M6	35	18	10	4	3	5	2,38
07161-06X40	steel	8.8	bright	M6	40	18	10	4	3	5	2,38
07161-06X45	steel	8.8	bright	M6	45	18	10	4	3	5	2,38

Overview of items

Order No.	Material	Grade	Surface finish body	D	L	B	DK	K	D1	SW	T
07161-06X50	steel	8.8	bright	M6	50	18	10	4	3	5	2,38
07161-06X60	steel	8.8	bright	M6	60	18	10	4	3	5	2,38
07161-08X10	steel	8.8	bright	M8	10	4	13	5	4	6	2,88
07161-08X12	steel	8.8	bright	M8	12	5	13	5	4	6	2,88
07161-08X16	steel	8.8	bright	M8	16	9	13	5	4	6	2,88
07161-08X20	steel	8.8	bright	M8	20	13	13	5	4	6	2,88
07161-08X25	steel	8.8	bright	M8	25	22	13	5	4	6	2,88
07161-08X30	steel	8.8	bright	M8	30	22	13	5	4	6	2,88
07161-08X35	steel	8.8	bright	M8	35	22	13	5	4	6	2,88
07161-08X40	steel	8.8	bright	M8	40	22	13	5	4	6	2,88
07161-08X45	steel	8.8	bright	M8	45	22	13	5	4	6	2,88
07161-08X50	steel	8.8	bright	M8	50	22	13	5	4	6	2,88
07161-08X60	steel	8.8	bright	M8	60	22	13	5	4	6	2,88
07161-08X70	steel	8.8	bright	M8	70	22	13	5	4	6	2,88
07161-08X80	steel	8.8	bright	M8	80	22	13	5	4	6	2,88
07161-10X20	steel	8.8	bright	M10	20	12	16	6,5	5	8	3,35
07161-10X25	steel	8.8	bright	M10	25	17	16	6,5	5	8	3,35
07161-10X30	steel	8.8	bright	M10	30	22	16	6,5	5	8	3,35
07161-10X35	steel	8.8	bright	M10	35	27	16	6,5	5	8	3,35
07161-10X40	steel	8.8	bright	M10	40	26	16	6,5	5	8	3,35
07161-10X45	steel	8.8	bright	M10	45	26	16	6,5	5	8	3,35
07161-10X50	steel	8.8	bright	M10	50	26	16	6,5	5	8	3,35
07161-10X60	steel	8.8	bright	M10	60	26	16	6,5	5	8	3,35
07161-10X70	steel	8.8	bright	M10	70	26	16	6,5	5	8	3,35
07161-10X80	steel	8.8	bright	M10	80	26	16	6,5	5	8	3,35
07161-10X90	steel	8.8	bright	M10	90	26	16	6,5	5	8	3,35
07161-10X100	steel	8.8	bright	M10	100	26	16	6,5	5	8	3,35
07161-12X20	steel	8.8	bright	M12	20	10,5	18	7,5	6	10	3,85
07161-12X25	steel	8.8	bright	M12	25	15,5	18	7,5	6	10	3,85
07161-12X30	steel	8.8	bright	M12	30	20,5	18	7,5	6	10	3,85
07161-12X35	steel	8.8	bright	M12	35	25,5	18	7,5	6	10	3,85
07161-12X40	steel	8.8	bright	M12	40	30,5	18	7,5	6	10	3,85
07161-12X45	steel	8.8	bright	M12	45	30	18	7,5	6	10	3,85
07161-12X50	steel	8.8	bright	M12	50	30	18	7,5	6	10	3,85
07161-12X60	steel	8.8	bright	M12	60	30	18	7,5	6	10	3,85
07161-12X70	steel	8.8	bright	M12	70	30	18	7,5	6	10	3,85
07161-12X80	steel	8.8	bright	M12	80	30	18	7,5	6	10	3,85
07161-12X90	steel	8.8	bright	M12	90	30	18	7,5	6	10	3,85
07161-12X100	steel	8.8	bright	M12	100	30	18	7,5	6	10	3,85
07161-12X110	steel	8.8	bright	M12	110	30	18	7,5	6	10	3,85
07161-12X120	steel	8.8	bright	M12	120	30	18	7,5	6	10	3,85
07161-16X30	steel	8.8	bright	M16	30	19	24	10	8	14	5,35
07161-16X35	steel	8.8	bright	M16	35	24	24	10	8	14	5,35
07161-16X40	steel	8.8	bright	M16	40	38	24	10	8	14	5,35
07161-16X45	steel	8.8	bright	M16	45	38	24	10	8	14	5,35
07161-16X50	steel	8.8	bright	M16	50	38	24	10	8	14	5,35
07161-16X60	steel	8.8	bright	M16	60	38	24	10	8	14	5,35
07161-16X70	steel	8.8	bright	M16	70	38	24	10	8	14	5,35
07161-16X80	steel	8.8	bright	M16	80	38	24	10	8	14	5,35
07161-16X90	steel	8.8	bright	M16	90	38	24	10	8	14	5,35
07161-16X100	steel	8.8	bright	M16	100	38	24	10	8	14	5,35
07161-16X110	steel	8.8	bright	M16	110	38	24	10	8	14	5,35
07161-16X120	steel	8.8	bright	M16	120	38	24	10	8	14	5,35
07161-20X40	steel	8.8	bright	M20	40	26	30	12	10	17	6,32
07161-20X45	steel	8.8	bright	M20	45	26	30	12	10	17	6,32
07161-20X50	steel	8.8	bright	M20	50	36	30	12	10	17	6,32
07161-20X60	steel	8.8	bright	M20	60	46	30	12	10	17	6,32
07161-20X70	steel	8.8	bright	M20	70	46	30	12	10	17	6,32
07161-20X80	steel	8.8	bright	M20	80	46	30	12	10	17	6,32
07161-20X90	steel	8.8	bright	M20	90	46	30	12	10	17	6,32
07161-20X100	steel	8.8	bright	M20	100	46	30	12	10	17	6,32
07161-20X110	steel	8.8	bright	M20	110	46	30	12	10	17	6,32
07161-20X120	steel	8.8	bright	M20	120	46	30	12	10	17	6,32
07161-40X10	steel	8.8	galvanised	M4	10	6,5	7	2,8	2	3	1,48
07161-40X12	steel	8.8	galvanised	M4	12	8,5	7	2,8	2	3	1,48

Overview of items

Order No.	Material	Grade	Surface finish body	D	L	B	DK	K	D1	SW	T
07161-404X16	steel	8.8	galvanised	M4	16	12,5	7	2,8	2	3	1,48
07161-404X20	steel	8.8	galvanised	M4	20	14	7	2,8	2	3	1,48
07161-404X25	steel	8.8	galvanised	M4	25	14	7	2,8	2	3	1,48
07161-405X10	steel	8.8	galvanised	M5	10	5,8	8,5	3,5	2,5	4	1,88
07161-405X12	steel	8.8	galvanised	M5	12	7,85	8,5	3,5	2,5	4	1,88
07161-405X16	steel	8.8	galvanised	M5	16	11,8	8,5	3,5	2,5	4	1,88
07161-405X20	steel	8.8	galvanised	M5	20	15,8	8,5	3,5	2,5	4	1,88
07161-405X25	steel	8.8	galvanised	M5	25	16	8,5	3,5	2,5	4	1,88
07161-405X30	steel	8.8	galvanised	M5	30	16	8,5	3,5	2,5	4	1,88
07161-406X10	steel	8.8	galvanised	M6	10	4,5	10	4	3	5	2,38
07161-406X12	steel	8.8	galvanised	M6	12	6,5	10	4	3	5	2,38
07161-406X16	steel	8.8	galvanised	M6	16	10,5	10	4	3	5	2,38
07161-406X20	steel	8.8	galvanised	M6	20	14,5	10	4	3	5	2,38
07161-406X25	steel	8.8	galvanised	M6	25	19,5	10	4	3	5	2,38
07161-406X30	steel	8.8	galvanised	M6	30	18	10	4	3	5	2,38
07161-406X35	steel	8.8	galvanised	M6	35	18	10	4	3	5	2,38
07161-406X40	steel	8.8	galvanised	M6	40	18	10	4	3	5	2,38
07161-406X45	steel	8.8	galvanised	M6	45	18	10	4	3	5	2,38
07161-406X50	steel	8.8	galvanised	M6	50	18	10	4	3	5	2,38
07161-406X60	steel	8.8	galvanised	M6	60	18	10	4	3	5	2,38
07161-408X10	steel	8.8	galvanised	M8	10	4	13	5	4	6	2,88
07161-408X12	steel	8.8	galvanised	M8	12	5	13	5	4	6	2,88
07161-408X16	steel	8.8	galvanised	M8	16	9	13	5	4	6	2,88
07161-408X20	steel	8.8	galvanised	M8	20	13	13	5	4	6	2,88
07161-408X25	steel	8.8	galvanised	M8	25	22	13	5	4	6	2,88
07161-408X30	steel	8.8	galvanised	M8	30	22	13	5	4	6	2,88
07161-408X35	steel	8.8	galvanised	M8	35	22	13	5	4	6	2,88
07161-408X40	steel	8.8	galvanised	M8	40	22	13	5	4	6	2,88
07161-408X45	steel	8.8	galvanised	M8	45	22	13	5	4	6	2,88
07161-408X50	steel	8.8	galvanised	M8	50	22	13	5	4	6	2,88
07161-408X60	steel	8.8	galvanised	M8	60	22	13	5	4	6	2,88
07161-408X70	steel	8.8	galvanised	M8	70	22	13	5	4	6	2,88
07161-408X80	steel	8.8	galvanised	M8	80	22	13	5	4	6	2,88
07161-410X20	steel	8.8	galvanised	M10	20	12	16	6,5	5	8	3,35
07161-410X25	steel	8.8	galvanised	M10	25	17	16	6,5	5	8	3,35
07161-410X30	steel	8.8	galvanised	M10	30	22	16	6,5	5	8	3,35
07161-410X35	steel	8.8	galvanised	M10	35	27	16	6,5	5	8	3,35
07161-410X40	steel	8.8	galvanised	M10	40	26	16	6,5	5	8	3,35
07161-410X45	steel	8.8	galvanised	M10	45	26	16	6,5	5	8	3,35
07161-410X50	steel	8.8	galvanised	M10	50	26	16	6,5	5	8	3,35
07161-410X60	steel	8.8	galvanised	M10	60	26	16	6,5	5	8	3,35
07161-410X70	steel	8.8	galvanised	M10	70	26	16	6,5	5	8	3,35
07161-410X80	steel	8.8	galvanised	M10	80	26	16	6,5	5	8	3,35
07161-410X90	steel	8.8	galvanised	M10	90	26	16	6,5	5	8	3,35
07161-410X100	steel	8.8	galvanised	M10	100	26	16	6,5	5	8	3,35
07161-412X20	steel	8.8	galvanised	M12	20	10,5	18	7,5	6	10	3,85
07161-412X25	steel	8.8	galvanised	M12	25	15,5	18	7,5	6	10	3,85
07161-412X30	steel	8.8	galvanised	M12	30	20,5	18	7,5	6	10	3,85
07161-412X35	steel	8.8	galvanised	M12	35	25,5	18	7,5	6	10	3,85
07161-412X40	steel	8.8	galvanised	M12	40	30,5	18	7,5	6	10	3,85
07161-412X45	steel	8.8	galvanised	M12	45	30	18	7,5	6	10	3,85
07161-412X50	steel	8.8	galvanised	M12	50	30	18	7,5	6	10	3,85
07161-412X60	steel	8.8	galvanised	M12	60	30	18	7,5	6	10	3,85
07161-412X70	steel	8.8	galvanised	M12	70	30	18	7,5	6	10	3,85
07161-412X80	steel	8.8	galvanised	M12	80	30	18	7,5	6	10	3,85
07161-412X90	steel	8.8	galvanised	M12	90	30	18	7,5	6	10	3,85
07161-412X100	steel	8.8	galvanised	M12	100	30	18	7,5	6	10	3,85
07161-412X110	steel	8.8	galvanised	M12	110	30	18	7,5	6	10	3,85
07161-412X120	steel	8.8	galvanised	M12	120	30	18	7,5	6	10	3,85
07161-416X30	steel	8.8	galvanised	M16	30	19	24	10	8	14	5,35
07161-416X35	steel	8.8	galvanised	M16	35	24	24	10	8	14	5,35
07161-416X40	steel	8.8	galvanised	M16	40	38	24	10	8	14	5,35
07161-416X45	steel	8.8	galvanised	M16	45	38	24	10	8	14	5,35
07161-416X50	steel	8.8	galvanised	M16	50	38	24	10	8	14	5,35
07161-416X60	steel	8.8	galvanised	M16	60	38	24	10	8	14	5,35

Overview of items

Order No.	Material	Grade	Surface finish body	D	L	B	DK	K	D1	SW	T
07161-416X70	steel	8.8	galvanised	M16	70	38	24	10	8	14	5,35
07161-416X80	steel	8.8	galvanised	M16	80	38	24	10	8	14	5,35
07161-416X90	steel	8.8	galvanised	M16	90	38	24	10	8	14	5,35
07161-416X100	steel	8.8	galvanised	M16	100	38	24	10	8	14	5,35
07161-416X110	steel	8.8	galvanised	M16	110	38	24	10	8	14	5,35
07161-416X120	steel	8.8	galvanised	M16	120	38	24	10	8	14	5,35
07161-420X40	steel	8.8	galvanised	M20	40	26	30	12	10	17	6,32
07161-420X45	steel	8.8	galvanised	M20	45	26	30	12	10	17	6,32
07161-420X50	steel	8.8	galvanised	M20	50	36	30	12	10	17	6,32
07161-420X60	steel	8.8	galvanised	M20	60	46	30	12	10	17	6,32
07161-420X70	steel	8.8	galvanised	M20	70	46	30	12	10	17	6,32
07161-420X80	steel	8.8	galvanised	M20	80	46	30	12	10	17	6,32
07161-420X90	steel	8.8	galvanised	M20	90	46	30	12	10	17	6,32
07161-420X100	steel	8.8	galvanised	M20	100	46	30	12	10	17	6,32
07161-420X110	steel	8.8	galvanised	M20	110	46	30	12	10	17	6,32
07161-420X120	steel	8.8	galvanised	M20	120	46	30	12	10	17	6,32
07161-306X10	steel	10.9	bright	M6	10	4,5	10	4	3	5	2,38
07161-306X12	steel	10.9	bright	M6	12	6,5	10	4	3	5	2,38
07161-306X16	steel	10.9	bright	M6	16	10,5	10	4	3	5	2,38
07161-306X20	steel	10.9	bright	M6	20	14,5	10	4	3	5	2,38
07161-306X25	steel	10.9	bright	M6	25	19,5	10	4	3	5	2,38
07161-306X30	steel	10.9	bright	M6	30	18	10	4	3	5	2,38
07161-306X35	steel	10.9	bright	M6	35	18	10	4	3	5	2,38
07161-306X40	steel	10.9	bright	M6	40	18	10	4	3	5	2,38
07161-308X16	steel	10.9	bright	M8	16	9	13	5	4	6	2,88
07161-308X20	steel	10.9	bright	M8	20	13	13	5	4	6	2,88
07161-308X25	steel	10.9	bright	M8	25	22	13	5	4	6	2,88
07161-308X30	steel	10.9	bright	M8	30	22	13	5	4	6	2,88
07161-308X35	steel	10.9	bright	M8	35	22	13	5	4	6	2,88
07161-308X40	steel	10.9	bright	M8	40	22	13	5	4	6	2,88
07161-308X45	steel	10.9	bright	M8	45	22	13	5	4	6	2,88
07161-308X50	steel	10.9	bright	M8	50	22	13	5	4	6	2,88
07161-308X60	steel	10.9	bright	M8	60	22	13	5	4	6	2,88
07161-310X20	steel	10.9	bright	M10	20	12	16	6,5	5	8	3,35
07161-310X25	steel	10.9	bright	M10	25	17	16	6,5	5	8	3,35
07161-310X30	steel	10.9	bright	M10	30	22	16	6,5	5	8	3,35
07161-310X35	steel	10.9	bright	M10	35	27	16	6,5	5	8	3,35
07161-310X40	steel	10.9	bright	M10	40	26	16	6,5	5	8	3,35
07161-310X45	steel	10.9	bright	M10	45	26	16	6,5	5	8	3,35
07161-310X50	steel	10.9	bright	M10	50	26	16	6,5	5	8	3,35
07161-310X60	steel	10.9	bright	M10	60	26	16	6,5	5	8	3,35
07161-312X25	steel	10.9	bright	M12	25	15,5	18	7,5	6	10	3,85
07161-312X30	steel	10.9	bright	M12	30	20,5	18	7,5	6	10	3,85
07161-312X35	steel	10.9	bright	M12	35	25,5	18	7,5	6	10	3,85
07161-312X40	steel	10.9	bright	M12	40	30,5	18	7,5	6	10	3,85
07161-312X45	steel	10.9	bright	M12	45	30	18	7,5	6	10	3,85
07161-312X50	steel	10.9	bright	M12	50	30	18	7,5	6	10	3,85
07161-312X60	steel	10.9	bright	M12	60	30	18	7,5	6	10	3,85
07161-316X30	steel	10.9	bright	M16	30	19	24	10	8	14	5,35
07161-316X35	steel	10.9	bright	M16	35	24	24	10	8	14	5,35
07161-316X40	steel	10.9	bright	M16	40	38	24	10	8	14	5,35
07161-316X45	steel	10.9	bright	M16	45	38	24	10	8	14	5,35
07161-316X50	steel	10.9	bright	M16	50	38	24	10	8	14	5,35
07161-316X60	steel	10.9	bright	M16	60	38	24	10	8	14	5,35
07161-316X70	steel	10.9	bright	M16	70	38	24	10	8	14	5,35
07161-316X80	steel	10.9	bright	M16	80	38	24	10	8	14	5,35
07161-320X40	steel	10.9	bright	M20	40	26	30	12	10	17	6,32
07161-320X50	steel	10.9	bright	M20	50	36	30	12	10	17	6,32
07161-320X60	steel	10.9	bright	M20	60	46	30	12	10	17	6,32
07161-320X70	steel	10.9	bright	M20	70	46	30	12	10	17	6,32
07161-104X10	stainless steel	-	bright	M4	10	6,5	7	2,8	2	3	1,48
07161-104X12	stainless steel	-	bright	M4	12	8,5	7	2,8	2	3	1,48
07161-104X16	stainless steel	-	bright	M4	16	12,5	7	2,8	2	3	1,48
07161-104X20	stainless steel	-	bright	M4	20	14	7	2,8	2	3	1,48
07161-104X25	stainless steel	-	bright	M4	25	14	7	2,8	2	3	1,48

Overview of items

Order No.	Material	Grade	Surface finish body	D	L	B	DK	K	D1	SW	T
07161-105X10	stainless steel	-	bright	M5	10	5,8	8,5	3,5	2,5	4	1,88
07161-105X12	stainless steel	-	bright	M5	12	7,85	8,5	3,5	2,5	4	1,88
07161-105X16	stainless steel	-	bright	M5	16	11,8	8,5	3,5	2,5	4	1,88
07161-105X20	stainless steel	-	bright	M5	20	15,8	8,5	3,5	2,5	4	1,88
07161-105X25	stainless steel	-	bright	M5	25	16	8,5	3,5	2,5	4	1,88
07161-105X30	stainless steel	-	bright	M5	30	16	8,5	3,5	2,5	4	1,88
07161-106X10	stainless steel	-	bright	M6	10	4,5	10	4	3	5	2,38
07161-106X12	stainless steel	-	bright	M6	12	6,5	10	4	3	5	2,38
07161-106X16	stainless steel	-	bright	M6	16	10,5	10	4	3	5	2,38
07161-106X20	stainless steel	-	bright	M6	20	14,5	10	4	3	5	2,38
07161-106X25	stainless steel	-	bright	M6	25	19,5	10	4	3	5	2,38
07161-106X30	stainless steel	-	bright	M6	30	18	10	4	3	5	2,38
07161-106X35	stainless steel	-	bright	M6	35	18	10	4	3	5	2,38
07161-106X40	stainless steel	-	bright	M6	40	18	10	4	3	5	2,38
07161-106X45	stainless steel	-	bright	M6	45	18	10	4	3	5	2,38
07161-106X50	stainless steel	-	bright	M6	50	18	10	4	3	5	2,38
07161-106X60	stainless steel	-	bright	M6	60	18	10	4	3	5	2,38
07161-108X10	stainless steel	-	bright	M8	10	-	13	5	4	6	2,88
07161-108X12	stainless steel	-	bright	M8	12	5	13	5	4	6	2,88
07161-108X16	stainless steel	-	bright	M8	16	9	13	5	4	6	2,88
07161-108X20	stainless steel	-	bright	M8	20	22	13	5	4	6	2,88
07161-108X25	stainless steel	-	bright	M8	25	22	13	5	4	6	2,88
07161-108X30	stainless steel	-	bright	M8	30	22	13	5	4	6	2,88
07161-108X35	stainless steel	-	bright	M8	35	22	13	5	4	6	2,88
07161-108X40	stainless steel	-	bright	M8	40	22	13	5	4	6	2,88
07161-108X45	stainless steel	-	bright	M8	45	22	13	5	4	6	2,88
07161-108X50	stainless steel	-	bright	M8	50	22	13	5	4	6	2,88
07161-108X60	stainless steel	-	bright	M8	60	22	13	5	4	6	2,88
07161-108X70	stainless steel	-	bright	M8	70	22	13	5	4	6	2,88
07161-110X16	stainless steel	-	bright	M10	16	8	16	6,5	5	8	3,35
07161-110X20	stainless steel	-	bright	M10	20	12	16	6,5	5	8	3,35
07161-110X25	stainless steel	-	bright	M10	25	17	16	6,5	5	8	3,35
07161-110X30	stainless steel	-	bright	M10	30	22	16	6,5	5	8	3,35
07161-110X35	stainless steel	-	bright	M10	35	27	16	6,5	5	8	3,35
07161-110X40	stainless steel	-	bright	M10	40	26	16	6,5	5	8	3,35
07161-110X45	stainless steel	-	bright	M10	45	26	16	6,5	5	8	3,35
07161-110X50	stainless steel	-	bright	M10	50	26	16	6,5	5	8	3,35
07161-110X60	stainless steel	-	bright	M10	60	26	16	6,5	5	8	3,35
07161-110X70	stainless steel	-	bright	M10	70	26	16	6,5	5	8	3,35
07161-112X20	stainless steel	-	bright	M12	20	10,5	18	7,5	6	10	3,85
07161-112X25	stainless steel	-	bright	M12	25	15,5	18	7,5	6	10	3,85
07161-112X30	stainless steel	-	bright	M12	30	30	18	7,5	6	10	3,85
07161-112X35	stainless steel	-	bright	M12	35	25,5	18	7,5	6	10	3,85
07161-112X40	stainless steel	-	bright	M12	40	30,5	18	7,5	6	10	3,85
07161-112X45	stainless steel	-	bright	M12	45	30	18	7,5	6	10	3,85
07161-112X50	stainless steel	-	bright	M12	50	30	18	7,5	6	10	3,85
07161-112X60	stainless steel	-	bright	M12	60	30	18	7,5	6	10	3,85
07161-112X70	stainless steel	-	bright	M12	70	30	18	7,5	6	10	3,85