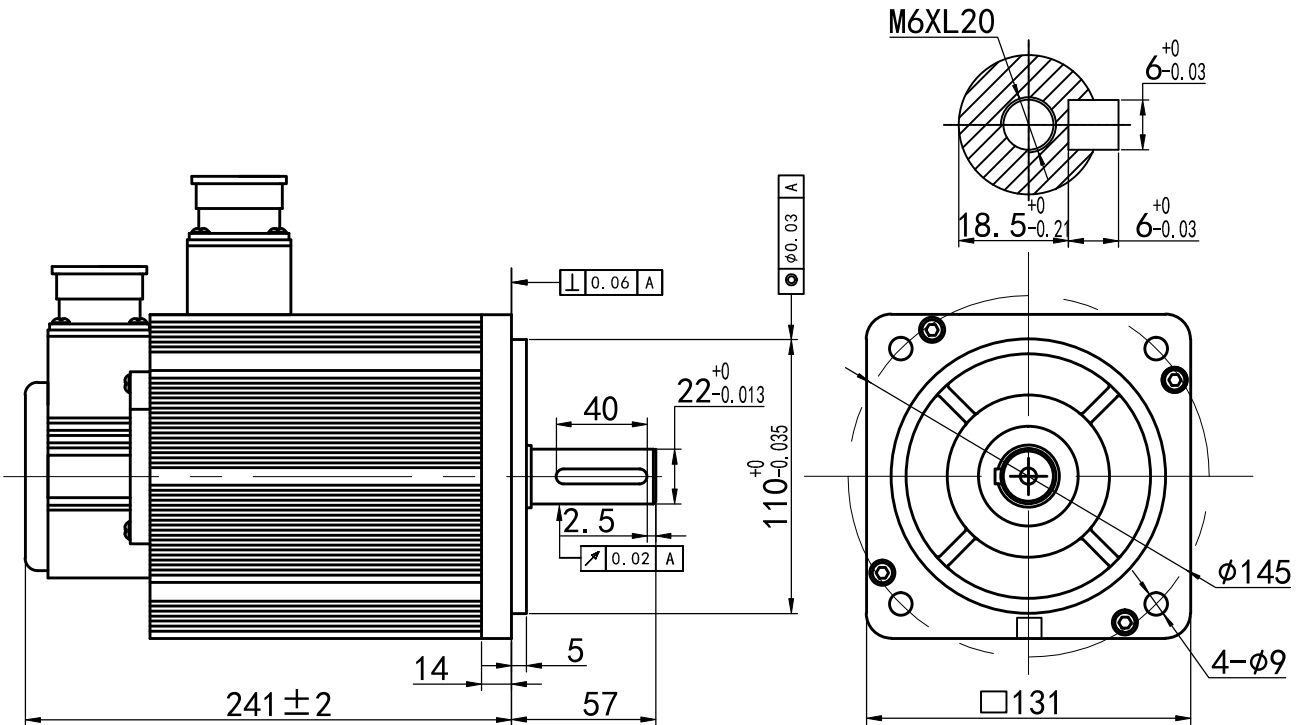


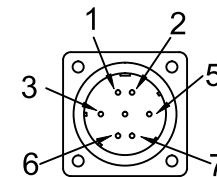
Rated voltage	200-220	V AC
Rated power	2000	W
Rated torque	7.7	N.m
Peak torque	22	N.m
Rated speed	2500	RPM
Peak speed	2600	RPM
Rated current	7.5	A _{rms}
Peak current	22	A _{rms}
Torque Const	1.03	N.m/A/rms
Back EMF Const	68	V/KRPM
Resistance	1.01	Ω
Inductance	2.94	mH
Inertia	15.3	kg·m ² ·10 ⁻⁴
Poles	8	
Encoder type	17bit multiple-turn	
Protection level	IP65	



Motor side connector

connector	winding connector	encoder connector	braker connector
Terminal	YD28J4Z	YD28J7Z	
Plastic shell			

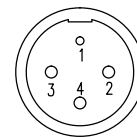
wiring order of absolute encoder connector							
pos	1	2	3	4	5	6	7
col							
sig	PE	5V	0V	SD+	SD-	BAT+	BAT-



Driver side connector

connector	winding connector	encoder connector	braker connector
Terminal	LS-YDA28K4TS-01	LS-YDA28K7TS-01	
Plastic shell			

winding connection				
position	1	2	3	4
colour				
signal	PE	U	V	W



Leadshine technology		version	
		130# 2000W servo motor	version
ELM2000EM-130F-H		17-bit absolute encoder	V1.0