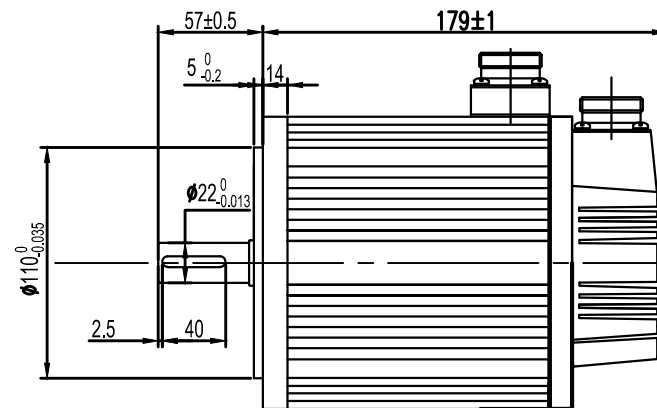
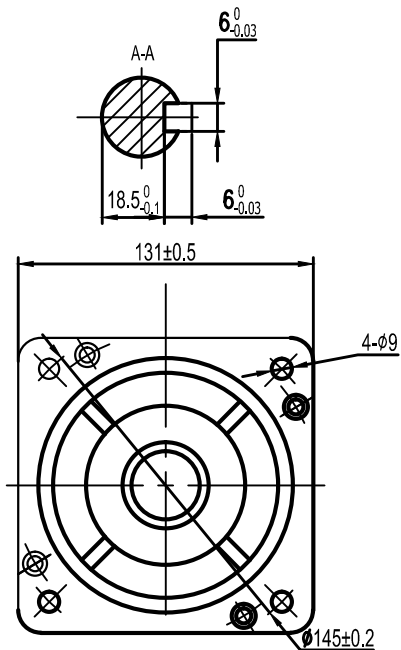


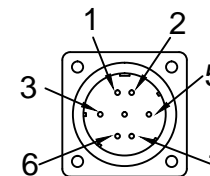
Rated voltage	200-220	V AC
Rated power	1500	W
Rated torque	6	N.m
Peak torque	18	N.m
Rated speed	2500	RPM
Peak speed	3000	RPM
Rated current	6	$A_{rms}$
Peak current	18	$A_{rms}$
Torque Const	1.0	N.m/A $rms$
Back EMF Const	65	V/KRPM
Resistance	1.27	$\Omega$
Inductance	3.87	mH
Inertia	12.6	kg m <sup>2</sup> 10 <sup>-4</sup>
Poles	8	
Encoder type	17bit multiple-turn	
Protection level	IP65	



Motor side connector

connector	winding connector	encoder connector	braker connector
Terminal	YD28J4Z	YD28J7Z	
Plastic shell			

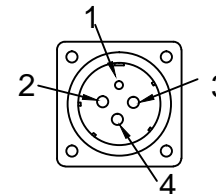
wiring order of absolute encoder connector							
pos	1	2	3	4	5	6	7
col							
sig	PE	5V	0V	SD+	SD-	BAT+	BAT-



Driver side connector

connector	winding connector	encoder connector	braker connector
Terminal	LS-YDA28K4TS-01	LS-YDA28K7TS-01	
Plastic shell			

winding connection				
position	1	2	3	4
colour				
signal	PE	U	V	W



Leadshine technology	
130# 1500W servo motor	version
17-bit absolute encoder and brake	1.0
ELM1500EM-130F-H	