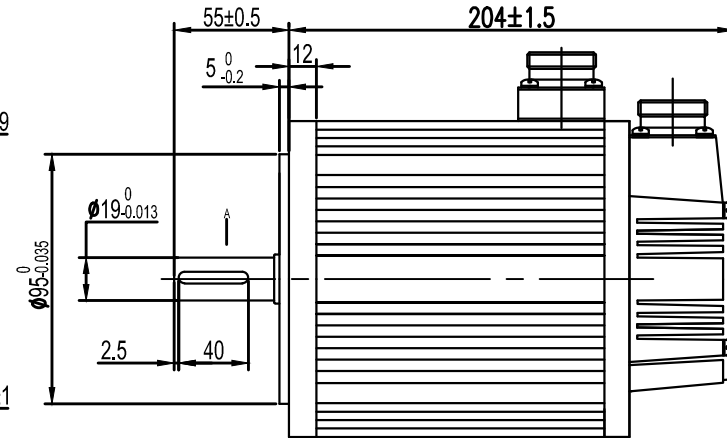
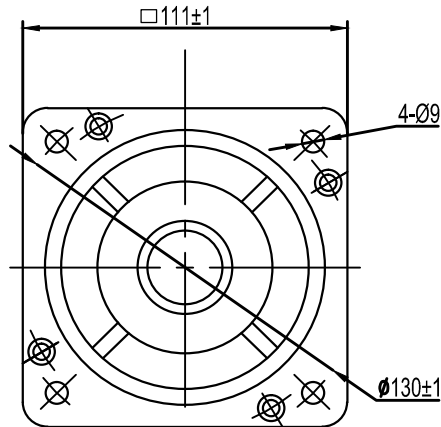
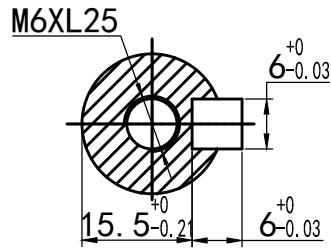


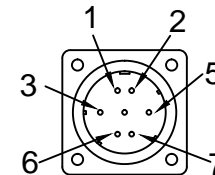
Rated voltage	200-220	V AC
Rated power	1500	W
Rated torque	5	N.m
Peak torque	15	N.m
Rated speed	3000	RPM
Peak speed	4500	RPM
Rated current	6	A _{rms}
Peak current	18	A _{rms}
Torque Const	0.83	N.m/A _{rms}
Back EMF Const	62	V/KRPM
Resistance	1.03	Ω
Inductance	3.43	mH
Inertia	6.3	kg·m ² ·10 ⁻⁴
Poles	8	
Encoder type	17bit multiple-turn	
Protection level	IP54	



Motor side connector

connector	winding connector	encoder connector	braker connector
Terminal	YD28J4Z	YD28J7Z	
Plastic shell			

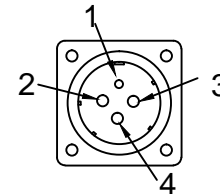
wiring order of absolute encoder connector							
pos	1	2	3	4	5	6	7
col							
sig	PE	5V	0V	SD+	SD-	BAT+	BAT-



Driver side connector

connector	winding connector	encoder connector	braker connector
Terminal	LS-YDA28K4TS-01	LS-YDA28K7TS-01	
Plastic shell			

winding connection				
position	1	2	3	4
colour				
signal	PE	U	V	W



Leadshine technology	
110# 1500W servo motor	version
17-bit absolute encoder and brake	1.0
ELM1500EM-110F-H	