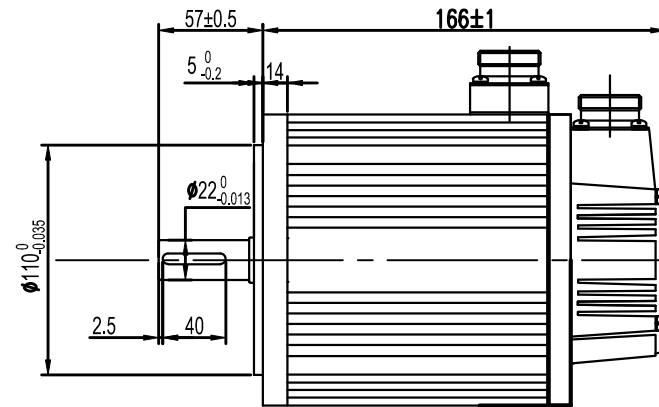
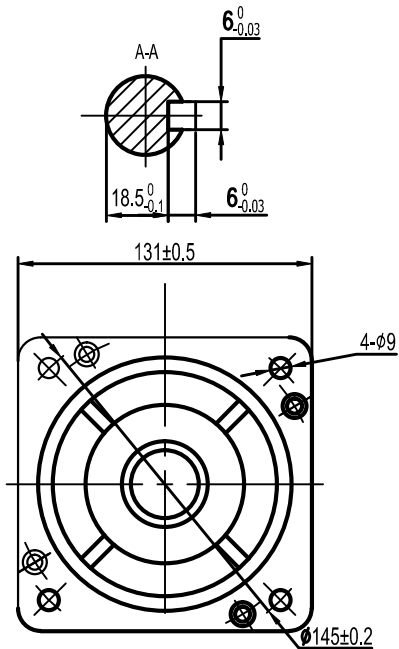


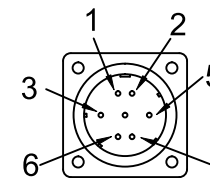
Rated voltage	200-220	V AC
Rated power	1000	W
Rated torque	4	N.m
Peak torque	12	N.m
Rated speed	2500	RPM
Peak speed	3000	RPM
Rated current	4	$A_{rms}$
Peak current	12	$A_{rms}$
Torque Const	1.0	N.m/ $A_{rms}$
Back EMF Const	72	V/KRPM
Resistance	2.76	$\Omega$
Inductance	6.42	mH
Inertia	8.5	$kg \cdot m^2 \cdot 10^{-4}$
Poles	8	
Encoder type	17bit multiple-turn	
Protection level	IP65	



#### Motor side connector

connector	winding connector	encoder connector	braker connector
Terminal	YD28J4Z	YD28J7Z	
Plastic shell			

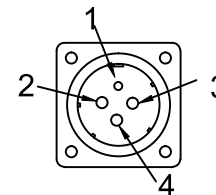
wiring order of absolute encoder connector							
pos	1	2	3	4	5	6	7
col							
sig	PE	5V	0V	SD+	SD-	BAT+	BAT-



#### Driver side connector

connector	winding connector	encoder connector	braker connector
Terminal	LS-YDA28K4TS-01	LS-YDA28K7TS-01	
Plastic shell			

winding connection				
position	1	2	3	4
colour				
signal	PE	U	V	W



		Leadshine technology	
		130# 1000W servo motor	version
		17-bit absolute encoder	V1.0
		ELM1000EM-130F-H	