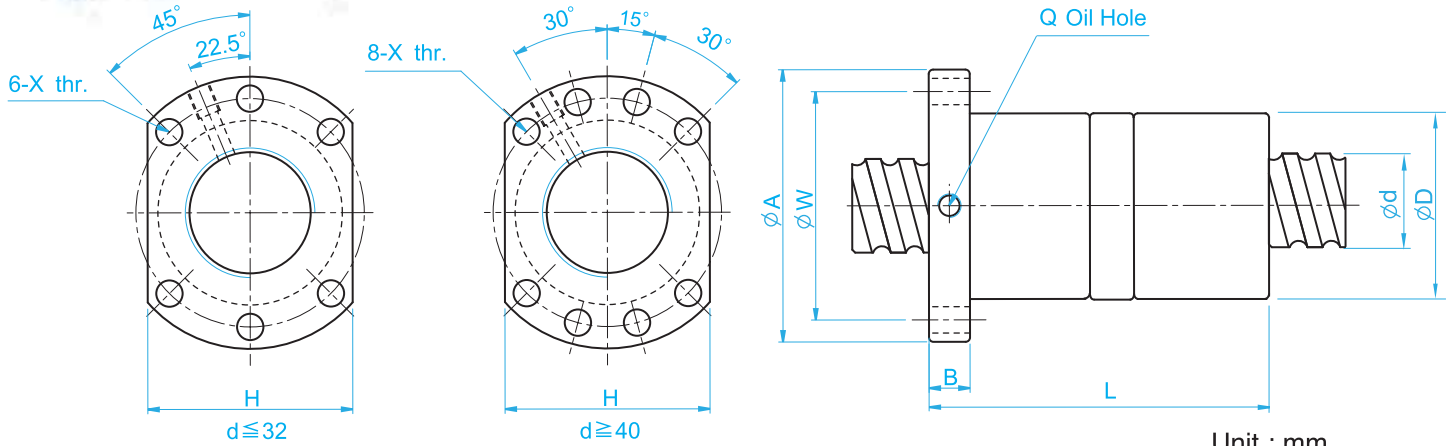


Dimension Table of TBI MOTION Ball Screws

(TYPE) : DFU(DIN 69051 FORM B)



I: Lead Da: Ball Dia. n: Number of Circuits K: Stiffness (Kgf/ μ m)
 Ca: Basic Dynamic Rating Load (Kgf) Coa: Basic Static Rating Load(Kgf)

Model No.	Dimensions														
	d	I	Da	D	A	B	L	W	X	H	Q	n	Ca	Coa	K
△ DFU01604-4	16	4	2.381	28	48	10	80	38	5.5	40	M6	1x4	973	2406	43
☆ DFU01605-4		5	3.175	28	48	10	100	38	5.5	40	M6	1x4	1380	3052	44
☆ DFU01610-3		10	3.175	28	48	10	118	38	5.5	40	M6	1x3	1103	2401	35
△ DFU02004-4	20	4	2.381	36	58	10	80	47	6.6	44	M6	1x4	1066	2987	51
☆ DFU02005-4		5	3.175	36	58	10	101	47	6.6	44	M6	1x4	1551	3875	53
△ DFU02504-4	25	4	2.381	40	62	10	80	51	6.6	48	M6	1x4	1180	3795	60
☆ DFU02505-4		5	3.175	40	62	10	101	51	6.6	48	M6	1x4	1724	4904	62
■ DFU02506-4		6	3.969	40	62	10	105	51	6.6	48	M6	1x4	2318	6057	64
■ DFU02508-4	32	8	4.762	40	62	10	120	51	6.6	48	M6	1x4	2963	7313	67
○ DFU02510-4		10	4.762	40	62	12	145	51	6.6	48	M6	1x4	2954	7295	67
△ DFU03204-4		4	2.381	50	80	12	80	65	9	62	M6	1x4	1296	4838	71
☆ DFU03205-4	32	5	3.175	50	80	12	102	65	9	62	M6	1x4	1922	6343	74
■ DFU03206-4		6	3.969	50	80	12	105	65	9	62	M6	1x4	2632	7979	78
■ DFU03208-4		8	4.762	50	80	12	122	65	9	62	M6	1x4	3387	9622	82
☆ DFU03210-4	40	10	6.35	50	80	12	162	65	9	62	M6	1x4	4805	12208	82
☆ DFU04005-4		5	3.175	63	93	14	105	78	9	70	M8	1x4	2110	7988	87
■ DFU04006-4		6	3.969	63	93	14	108	78	9	70	M6	1x4	2873	9913	91
■ DFU04008-4	50	8	4.762	63	93	14	132	78	9	70	M6	1x4	3712	11947	96
☆ DFU04010-4		10	6.35	63	93	14	165	78	9	70	M8	1x4	5399	15500	99
☆ DFU05010-4		10	6.35	75	110	16	171	93	11	85	M8	1x4	6004	19614	117
△ DFU05020-4	63	20	7.144	75	110	16	280	93	11	85	M8	1x4	7142	22588	126
○ DFU06310-4		10	6.35	90	125	18	182	108	11	95	M8	1x4	6719	25358	139
△ DFU06320-4		20	9.525	95	135	20	290	115	13.5	100	M8	1x4	11444	36653	152
△ DFU08010-4	80	10	6.35	105	145	20	182	125	13.5	110	M8	1x4	7346	31953	156
△ DFU08020-4		20	9.525	125	165	25	295	145	13.5	130	M8	1x4	12911	47747	187
■ DFU10020-4		100	20	9.525	150	202	30	340	170	17.5	155	M8	1x4	14303	60698