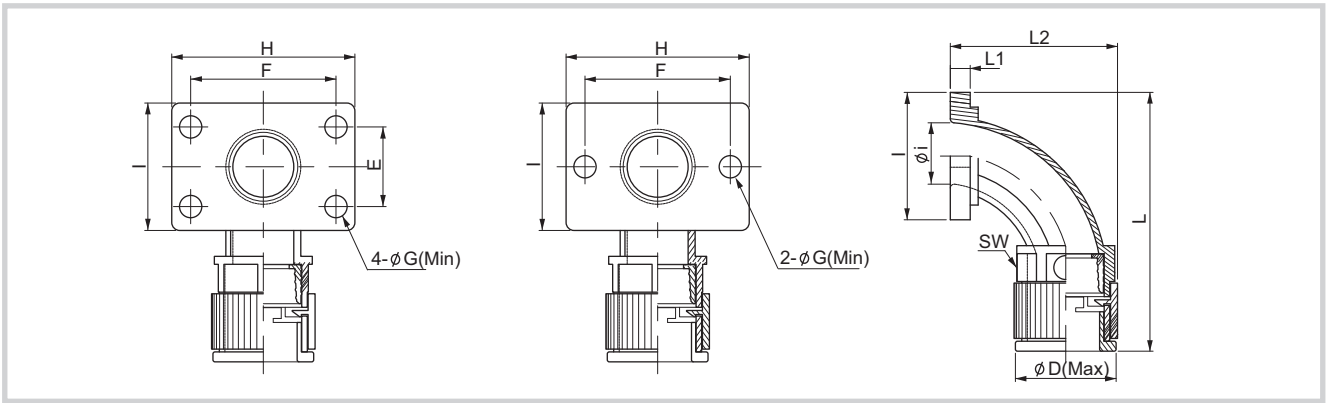


TWOC IP67



- Material : High Quality Polyamide 6
- Protective : IP 65 (EN 60529)
- Temperature Range : -40°C to +105°C
- Short Term : up to +150°C
- Self-Extinguishing : UL94-HB / Free of Halogen Phosphorous and cadmium
- Color : Black & Gray
- Application : Machine tool, Shipbuilding, Tramway, Industrial / Automatic Machinery, Printing Machine etc. Control box with connector.



PRODUCT SIZE



Black	Gray	Tube Size	E	F	G	H	I	L ₁	L ₂	L	Ø _i	Ø _D	SW
TWOC-12B	TWOC-12G	12	-	36.5	5.5	45	32	5	43	61	12	25	22.7
TWOC-16B	TWOC-16G	16	-	36.5	5.5	45	32	5	51	71	13	30	28.0
TWOC-22B	TWOC-22G	22	30.5	53.5	5.5	66	45	6	58	81	19	41	37.5
TWOC-28B	TWOC-28G	28	30.5	55.0	6.0	66	45	6	66	98	26	47	43.0
TWOC-36B	TWOC-36G	36	30.5	73.0	7.0	86	64	6	82	123	32	56	52.2
TWOC-48B	TWOC-48G	48	30.5	73.0	7.0	86	78	6	97	147	43	68	64.1

(Dimensions in mm)