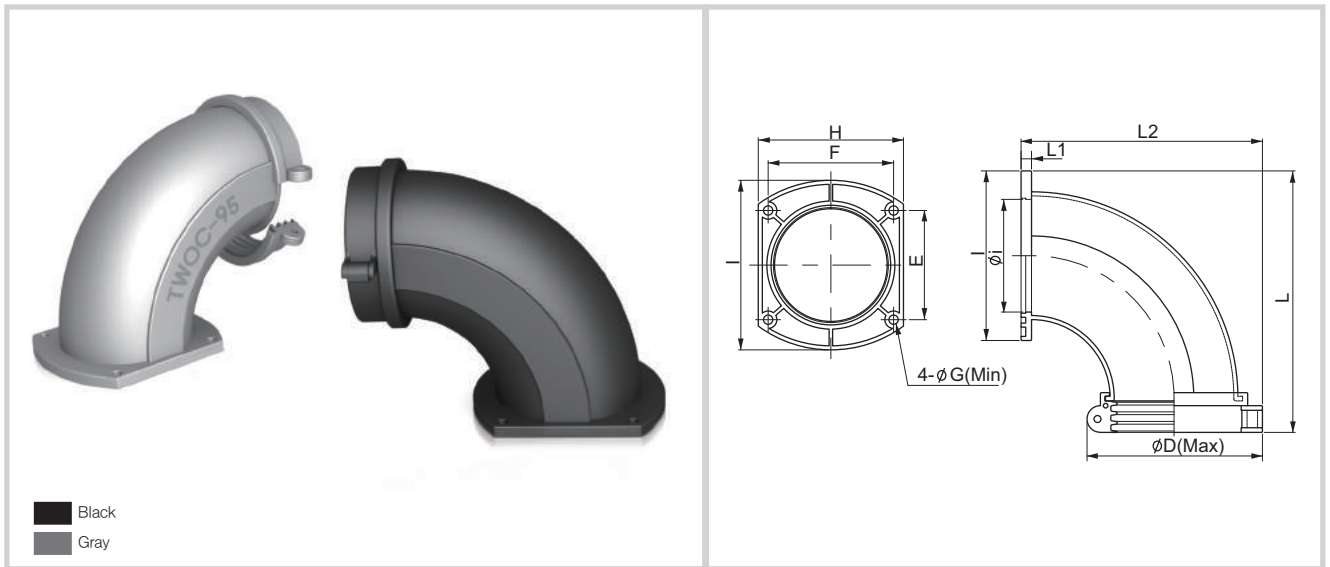


TWOC IP65



Black
 Gray

- Material : High Quality Polyamide 6
- Protective : IP 65 (EN 60529)
- Temperature Range : -40°C to +105°C
- Short Term : up to +150° C
- Self-Extinguishing : UL94-HB / Free of Halogen Phosphorous and cadmium
- Color : Black & Gray
- Application : Machine tool, Shipbuilding, Tramway, Industrial / Automatic Machinery, Printing Machine etc. Control box with connector.

PRODUCT SIZE

Ordering No.															
Black	Gray	Tube Size	E	F	G	H	I	L ₁	L ₂	L	ϕ_i	ϕD	SW		
TWOC-56B	TWOC-56G	56	61	67	7	81	96	6	117.5	139.2	56	93	-		
TWOC-70B	TWOC-70G	70	78	84	7	98	113	9	171.5	191.6	70	121	-		
TWOC-95B	TWOC-95G	95	94	108	8	125	146	9	195.0	225.0	92	151	-		

(Dimensions in mm)

