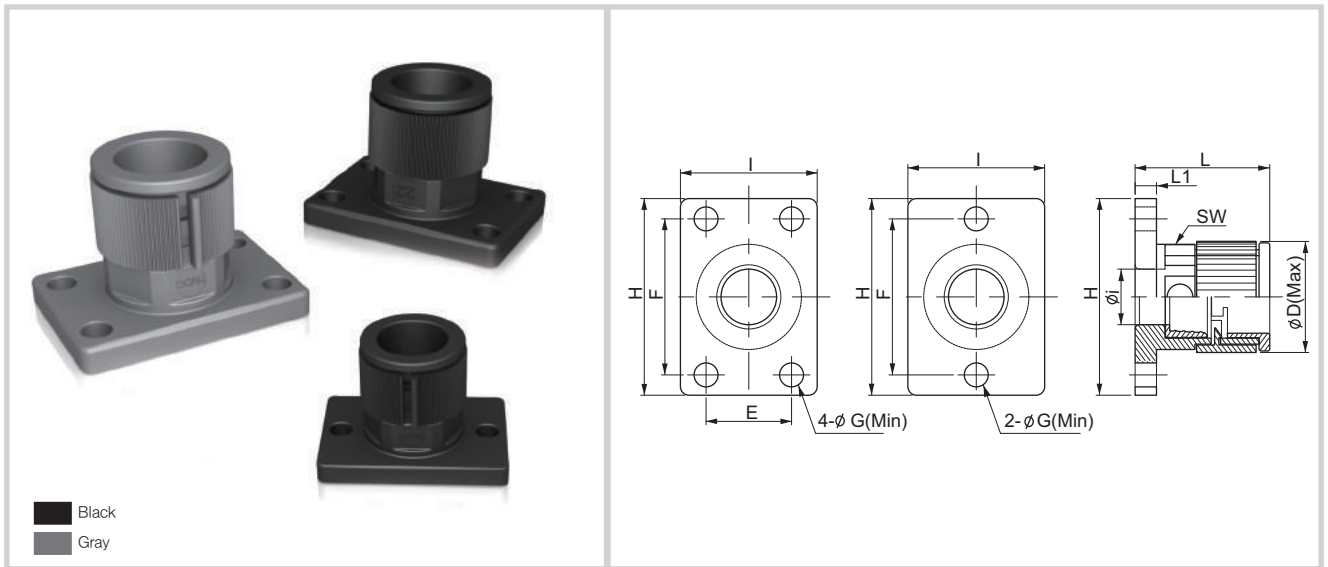


# TNOC IP67



Black  
 Gray

- Material : High Quality Polyamide 6
- Protective : IP 67 (EN 60529)
- Temperature Range : -40°C to +105°C
- Short Term : up to +150° C
- Self-Extinguishing : UL94-HB / Free of Halogen Phosphorous and cadmium
- Color : Black & Gray
- Application : Machine tool, Shipbuilding, Tramway, Industrial / Automatic Machinery, Printing Machine etc. Control Box with connector.

## PRODUCT SIZE



Black	Gray	Tube Size	E	F	G	H	I	L <sub>1</sub>	L	φ <sub>i</sub>	φ <sub>D</sub>	SW
TNOC-12B	TNOC-12G	12	-	36.5	5.5	46.0	32	5	31.2	11	25	22.7
TNOC-16B	TNOC-16G	16	-	36.5	5.5	46.0	32	5	33.3	14	30	28.0
TNOC-22B	TNOC-22G	22	31.0	54.8	6.5	64.8	45	6	39.0	18	41	37.5
TNOC-28B	TNOC-28G	28	31.0	54.8	6.5	64.8	45	6	45.0	25	47	43.0
TNOC-36B	TNOC-36G	36	31.0	72.6	6.5	86.6	60	6	52.0	34	56	52.2
TNOC-48B	TNOC-48G	48	30.5	72.6	6.5	86.6	73	6	58.0	48	68	64.1

(Dimensions in mm)

