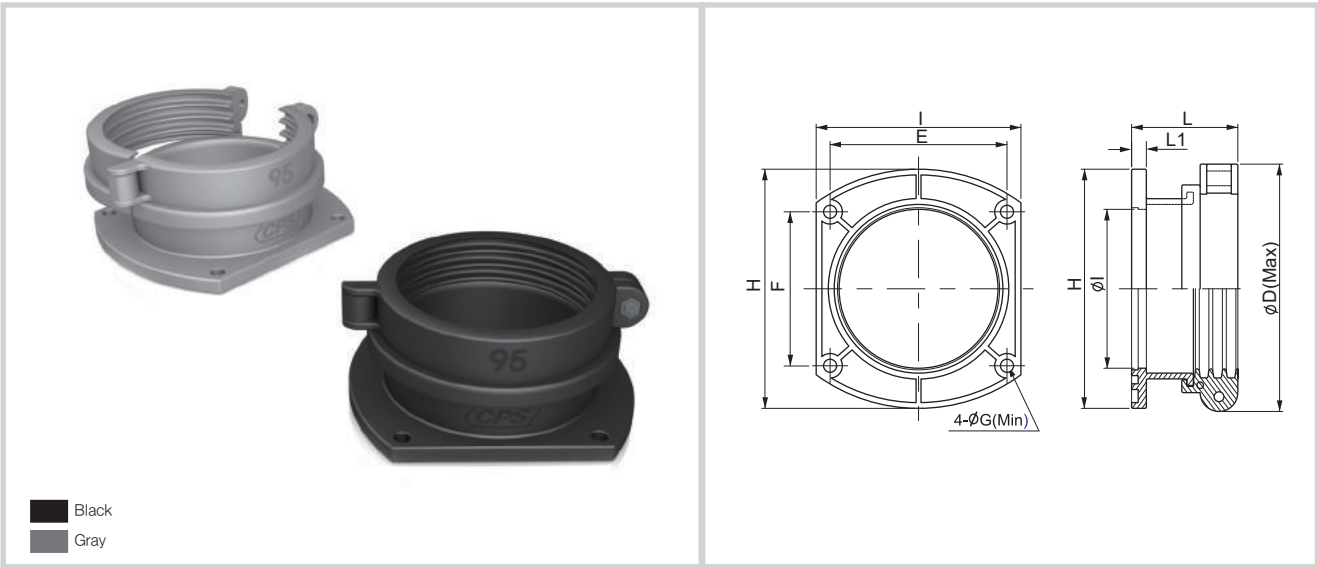


# TNOC IP65



- Material : High Quality Polyamide 6
- Protective : IP 65 (EN 60529)
- Temperature Range : -40°C to +105°C
- Short Term : up to +150°C
- Self-Extinguishing : UL94-HB / Free of Halogen Phosphorous and cadmium
- Color : Black & Gray
- Application : Machine tool, Shipbuilding, Tramway, Industrial / Automatic Machinery, Printing Machine etc. Control box with connector.

## PRODUCT SIZE

Ordering No.		  	
--------------	---	---	---

Black	Gray	Tube Size	E	F	G	H	I	L1	L	Ø i	ØD	SW
TNOC-56B	TNOC-56G	56	67	61	7	96	81	4	39.2	56	93	-
TNOC-70B	TNOC-70G	70	84	78	7	113	98	9	52.0	70	121	-
TNOC-95B	TNOC-95G	95	108	94	8	146	125	9	64.7	92	151	-

(Dimensions in mm)

