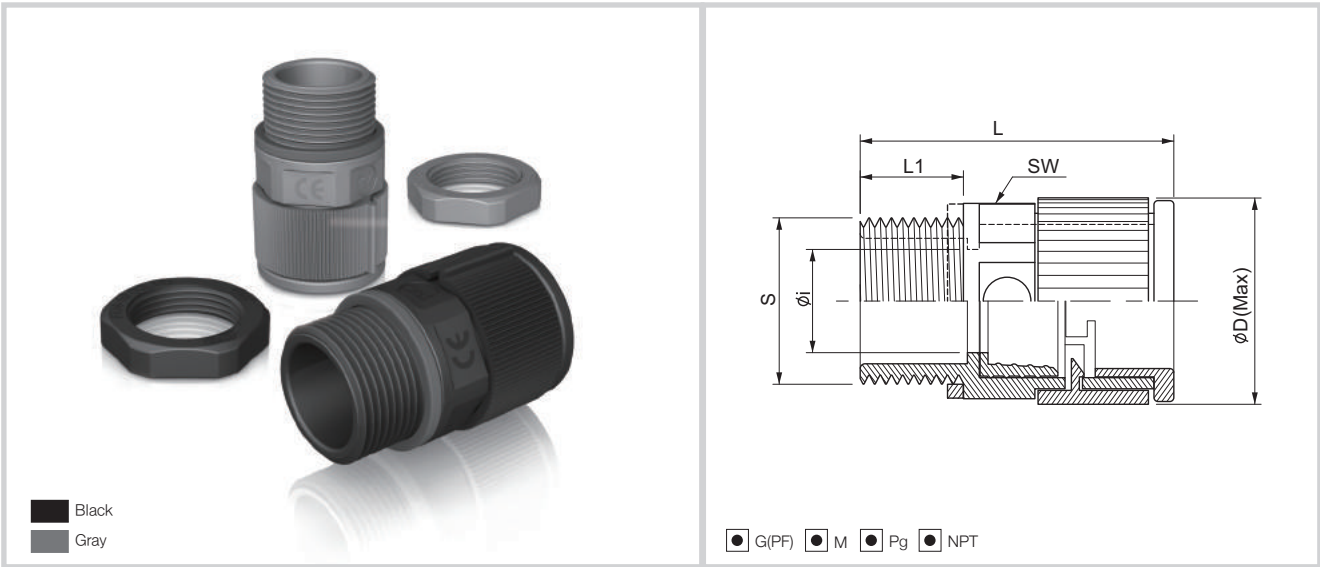



TNC IP67

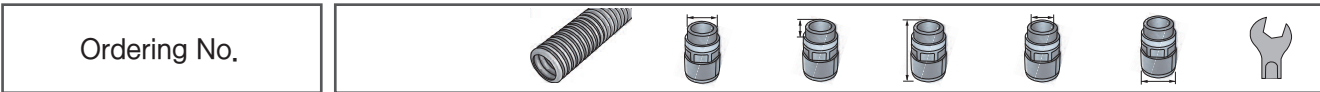


Black
 Gray

G(PF) M Pg NPT

- Material : High Quality Polyamide 6
- Protective : IP 67 (EN 60529)
- Temperature Range : -40°C to +105°C
- Short Term : up to +150°C
- Self-Extinguishing : UL94-HB / Free of Halogen Phosphorous and cadmium
- Color : Black & Gray
- Application : Machine tool, Shipbuilding, Tramway, Industrial / Automatic Machinery, Printing Machine etc. Joint box with connector
- Certification : 

PRODUCT SIZE



PF Thread (JIS B0202) (Dimensions in mm)

Black	Gray	Thread	Tube Size	S	L ₁	L	Ø _i	Ø _D	SW
TNC-G07B	TNC-G07G	G1/4"	07	13.1	11	32.6	8.0	25	14.2
TNC-G10B	TNC-G10G	G1/2"	10	20.9	13	40.0	10.0	25	19.8
TNC-G12B	TNC-G12G	G1/2"	12	20.9	13	40.0	13.0	25	22.7
TNC-G16B	TNC-G16G	G1/2"	16	20.9	13	41.0	14.0	30	28.0
TNC-G22B	TNC-G22G	G3/4"	22	26.4	15	49.0	19.0	41	37.5
TNC-G28B	TNC-G28G	G1"	28	33.2	15	53.0	24.0	47	43.0
TNC-G36B	TNC-G36G	G1 1/4"	36	41.9	19	65.0	33.0	56	52.2
TNC-G42B	TNC-G42G	G1 1/2"	48	47.8	21	72.0	39.0	68	64.1
TNC-G48B	TNC-G48G	G2"	48	59.6	21	72.0	49.8	68	64.1

※ Available in Light Gray production.

Ordering No.


Metric Thread (EN 60423)

(Dimensions in mm)

Black	Gray	Thread	Tube Size	S	L ₁	L	Ø _i	Ø _D	SW
TNC-M107B	TNC-M107G	M12 X 1.5	07	12	11	33	8.5	17	14.2
TNC-M127B	TNC-M127G	M16 X 1.5	07	16	11	33	8.5	25	14.2
TNC-M167B	TNC-M167G	M20 X 1.5	07	20	11	33	8.5	25	14.2
TNC-M10B	TNC-M10G	M12 X 1.5	10	12	13	40	7.5	25	19.8
TNC-M120B	TNC-M120G	M16 X 1.5	10	16	13	40	10.0	25	19.8
TNC-M20B	TNC-M20G	M20 X 1.5	10	20	13	40	10.0	25	19.8
TNC-M102B	TNC-M102G	M12 X 1.5	12	12	13	40	7.5	25	22.7
TNC-M12B	TNC-M12G	M16 X 1.5	12	16	13	40	11.0	25	22.7
TNC-M202B	TNC-M202G	M20 X 1.5	12	20	13	40	13.0	25	22.7
TNC-M126B	TNC-M126G	M16 X 1.5	16	16	13	41	11.5	30	28.0
TNC-M16B	TNC-M16G	M20 X 1.5	16	20	13	41	14.0	30	28.0
TNC-M226B	TNC-M226G	M25 X 1.5	16	25	13	41	14.0	30	28.0
TNC-M22B	TNC-M22G	M25 X 1.5	22	25	15	49	18.5	41	37.5
TNC-M3222B	TNC-M3222G	M32 X 1.5	22	32	15	49	20.0	41	37.5
TNC-M28B	TNC-M28G	M32 X 1.5	28	32	15	53	25.0	47	43.0
TNC-M4028B	TNC-M4028G	M40 X 1.5	28	40	15	53	27.0	47	43.0
TNC-M36B	TNC-M36G	M40 X 1.5	36	40	19	65	32.0	56	52.2
TNC-M5036B	TNC-M5036G	M50 X 1.5	36	50	19	65	34.0	56	52.2
TNC-M48B	TNC-M48G	M50 X 1.5	48	50	21	72	42.0	68	64.1
TNC-M6348B	TNC-M6348G	M63 X 1.5	48	63	21	72	48.0	68	64.1

Pg Thread (DIN 40430)

Black	Gray	Thread	Tube Size	S	L ₁	L	Ø _i	Ø _D	SW
TNC-P077B	TNC-P077G	Pg 07	07	12.5	11	33	8.0	17	14.2
TNC-P097B	TNC-P097G	Pg 09	07	15.2	11	35	8.5	25	14.2
TNC-P117B	TNC-P117G	Pg 11	07	18.6	11	35	8.5	25	14.2
TNC-P137B	TNC-P137G	Pg 13.5	07	20.4	11	35	8.5	25	14.2
TNC-P070B	TNC-P070G	Pg 07	10	12.5	13	40	8.0	25	19.8
TNC-P09B	TNC-P09G	Pg 09	10	15.2	13	40	10.0	25	19.8
TNC-P110B	TNC-P110G	Pg 11	10	18.6	13	40	10.0	25	19.8
TNC-P130B	TNC-P130G	Pg 13.5	10	20.4	13	40	10.0	25	19.8
TNC-P160B	TNC-P160G	Pg 16	10	22.5	13	40	10.0	25	19.8
TNC-P0912B	TNC-P0912G	Pg 09	12	15.2	13	40	10.0	25	22.7
TNC-P11B	TNC-P11G	Pg 11	12	18.6	13	40	12.5	25	22.7
TNC-P132B	TNC-P132G	Pg 13.5	12	20.4	13	40	13.0	25	22.7
TNC-P162B	TNC-P162G	Pg 16	12	22.5	13	40	13.0	25	22.7
TNC-P136B	TNC-P136G	Pg 13.5	16	20.4	13	41	14.0	30	28.0
TNC-P16B	TNC-P16G	Pg 16	16	22.5	13	41	14.0	30	28.0
TNC-P216B	TNC-P216G	Pg 21	16	28.3	13	41	14.0	30	28.0
TNC-P163B	TNC-P163G	Pg 16	22	22.5	13	49	16.0	41	37.5
TNC-P21B	TNC-P21G	Pg 21	22	28.3	15	49	19.0	41	37.5
TNC-P29B	TNC-P29G	Pg 29	28	37.0	15	53	27.0	47	43.0
TNC-P36B	TNC-P36G	Pg 36	36	47.0	19	65	34.0	56	52.2
TNC-P48B	TNC-P48G	Pg 48	48	59.3	21	72	49.0	68	64.1

NPT Thread (ANSI/ASME B1.20.1)

Black	Gray	Thread	Tube Size	S	L ₁	L	Ø _i	Ø _D	SW
TNC-N10B	TNC-N10G	NPT 1/2"	10	21.2	13	40	10	25	19.8
TNC-N12B	TNC-N12G	NPT 1/2"	12	21.2	13	40	13	25	22.7
TNC-N16B	TNC-N16G	NPT 1/2"	16	21.2	13	41	14	30	28.0
TNC-N22B	TNC-N22G	NPT 3/4"	22	26.5	15	49	19	41	37.5
TNC-N28B	TNC-N28G	NPT 1"	28	33.2	15	55	24	47	43.0