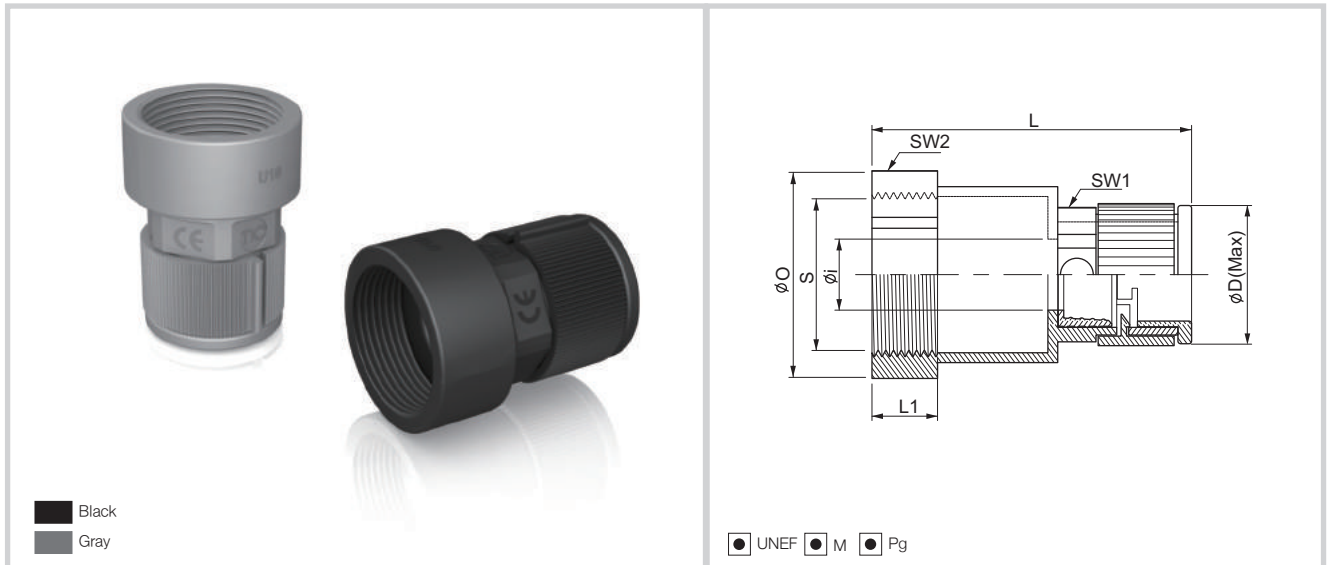


# TIC IP67



- Material : High Quality Polyamide 6
- Protective : IP 67 (EN 60529)
- Temperature Range : -40°C to +105°C
- Short Term : up to +150° C
- Self-Extinguishing : UL94-HB / Free of Halogen Phosphorous and cadmium
- Color : Black & Gray
- Application : Machine tool, Shipbuilding, Tramway, Industrial / Automatic Machinery, Printing Machine etc. Joint box with connector
- Certification :

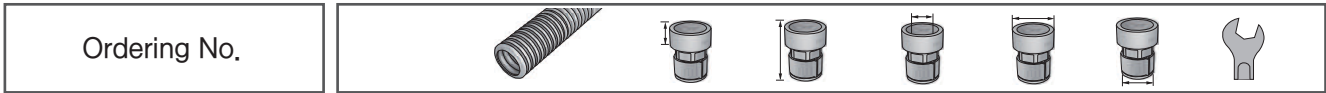
## PRODUCT SIZE



### UNEF Thread (ASME B1.1)

(Dimensions in mm)

Black	Gray	Thread	Tube Size	Shell Size	L <sub>1</sub>	L	Ø <sub>i</sub>	Ø <sub>o</sub>	Ø <sub>b</sub>	SW
TIC-U1010B	TIC-U1010G	1/2-28UNEF	10	8S, 10S	10	41.0	9	18.4	25	20.3
TIC-U1210B	TIC-U1210G	5/8-24UNEF	10	10SL, 12S	10	41.0	9	20.6	25	20.3
TIC-U1410B	TIC-U1410G	3/4-20UNEF	10	14, 14S	10	41.0	9	24.0	25	20.3
TIC-U1212B	TIC-U1212G	5/8-24UNEF	12	10SL, 12S	10	40.7	11	20.6	25	22.7
TIC-U1412B	TIC-U1412G	3/4-20UNEF	12	14, 14S	10	40.7	11	24.0	25	22.7
TIC-U1812B	TIC-U1812G	1-20UNEF	12	18	10	40.7	11	31.0	25	22.7
TIC-U1616B	TIC-U1616G	7/8-20UNEF	16	16, 16S	10	42.5	13	28.0	30	27.7
TIC-U1816B	TIC-U1816G	1-20UNEF	16	18	10	42.5	13	31.0	30	27.7
TIC-U2012B	TIC-U2012G	1 3/16-18UNEF	12	20,22	10	40.7	13	35.5	25	22.7
TIC-U2016B	TIC-U2016G	1 3/16-18UNEF	16	20,22	10	42.5	13	35.5	30	27.7
TIC-U2316B	TIC-U2316G	1 3/8-8UNEF	16	20,22	10	42.5	13	40.0	30	27.7
TIC-U2816B	TIC-U2816G	1 7/16-18UNEF	16	24, 28	10	42.5	13	42.0	30	27.7
TIC-U2222B	TIC-U2222G	1 3/16-18UNEF	22	20, 22	10	48.7	18	35.5	41	36.9
TIC-U2822B	TIC-U2822G	1 7/16-18UNEF	22	24,28	10	48.7	18	42.0	41	36.9
TIC-U3622B	TIC-U3622G	2-18UNS	22	36	10	48.7	18	56.5	41	36.9
TIC-U2828B	TIC-U2828G	1 7/16-18UNEF	28	24,28	10	54.0	25	42.0	47	43.0
TIC-U3228B	TIC-U3228G	1 3/4-18UNS	28	32	10	54.0	25	50.0	47	43.0
TIC-U3628B	TIC-U3628G	2-18UNS	28	36	10	54.0	25	56.5	47	43.0
TIC-U3636B	TIC-U3636G	2-18UNS	36	36	10	61.0	32	56.5	56	52.2



### Metric Thread (EN 60423)

(Dimensions in mm)

Black	Gray	Thread	Tube Size	L <sub>1</sub>	L	Ø <sub>i</sub>	Ø <sub>o</sub>	Ø <sub>D</sub>	SW
TIC-M12B	TIC-M12G	M16 X 1.5	12	14	40.7	11	20.6	25	22.7
TIC-M226B	TIC-M226G	M25 X 1.5	16	14	42.5	13	31.0	30	27.7

### Pg Thread (DIN 40430)

Black	Gray	Thread	Tube Size	L <sub>1</sub>	L	Ø <sub>i</sub>	Ø <sub>o</sub>	Ø <sub>D</sub>	SW
TIC-P11B	TIC-P11G	Pg11	12	14	40.7	11	20.6	25	22.7
TIC-P132B	TIC-P132G	Pg13.5	12	14	40.7	11	24.0	25	22.7
TIC-P16B	TIC-P16G	Pg16	16	14	42.5	13	28.0	30	27.7
TIC-P21B	TIC-P21G	Pg21	22	15	54.0	13	35.5	41	36.9

