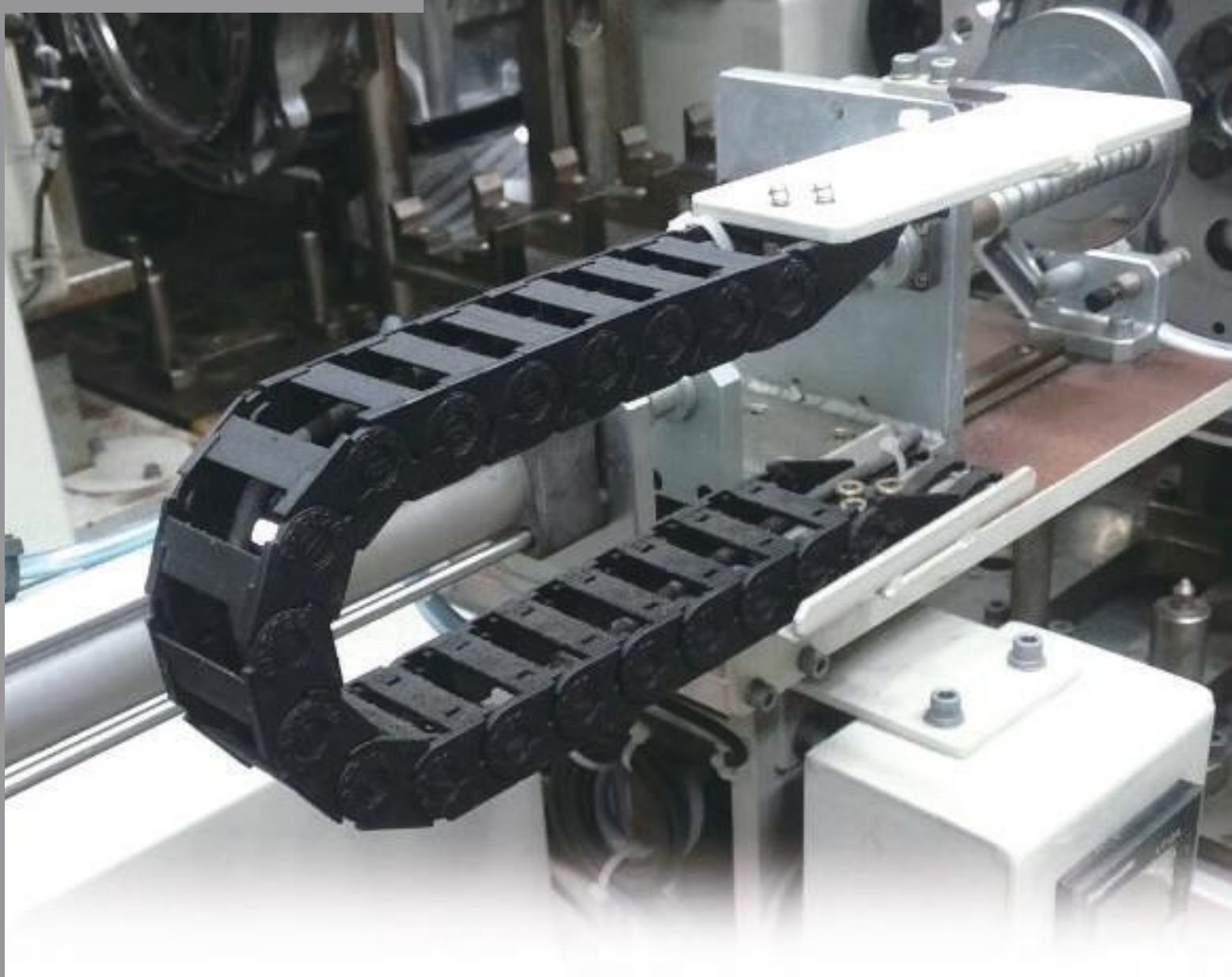


CPS mini chain




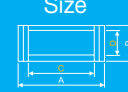


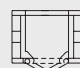
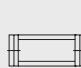
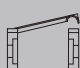
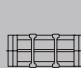


» General information

Item	Value
Material	CPS-Amid(PA6+GF), RoHs
Noise range	40dB(DIN EN 61672-1)
Speed	3 ^m /s
Acceleration	10 ^m /s ²
Temperature	-30°C ~+130°C
Special production	ESD, UV
Certificate	CE, ATEX(Ex)

» Calculation table

Item	Value
Length of Cable Chain	$L = \frac{1}{2} \times LS + LP$
Bending Radius	
The biggest Cable inserted	Multiply 8~10 and the biggest cable
The biggest Hydraulic Hose inserted	Multiply 15~20 and the biggest hose

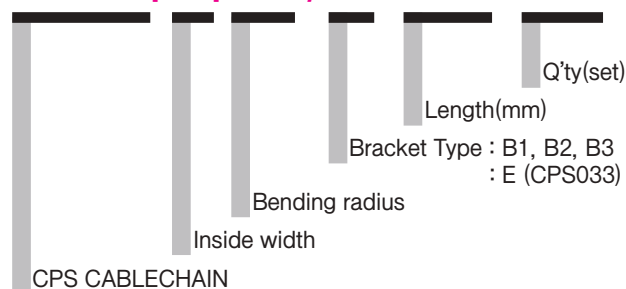
» Dimension table

CPS Cable Chain MINI Type	Pitch	Bending Radius(R) 	Weight kg/m	Speed m/sec	Temperature °C	Size 				Frame type	Section - composition
						A	B	C	D		
CPS 015	15	18, 28, 38	0.100 0.106 0.111 0.115	3	-30 ~ +130	12.6 16.6 21.6 26.6	13	6 10 15 20	10		
CPS 020	20	28, 38, 48	0.245 0.260 0.285 0.310	3	-30 ~ +130	24 29 39 49	20	15 20 30 40	14.5		
CPS 030	30	38, 48, 75, 100	0.380 0.400 0.420 0.440	3	-30 ~ +130	29 39 49 64	26	15 25 35 50	19		
CPS 033	33	35, 45, 75, 100, 120	0.550 0.590 0.610 0.680 0.700	3	-30 ~ +130	45 55 65 85 95	31	27 37 47 67 77	23		

(Dimensions in mm)

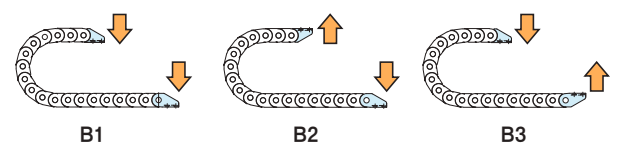
» Ordering

CPS 015, 10, R28 / B2 - 550L : 10ST

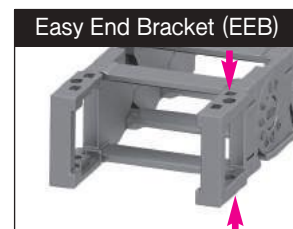


» Bracket type

- CPS015, CPS020, CPS030



- CPS033



There are fixing holes of two directions including upper side and lower side.

» Application of CPS mini Chain

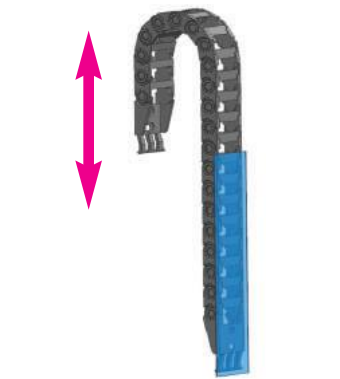
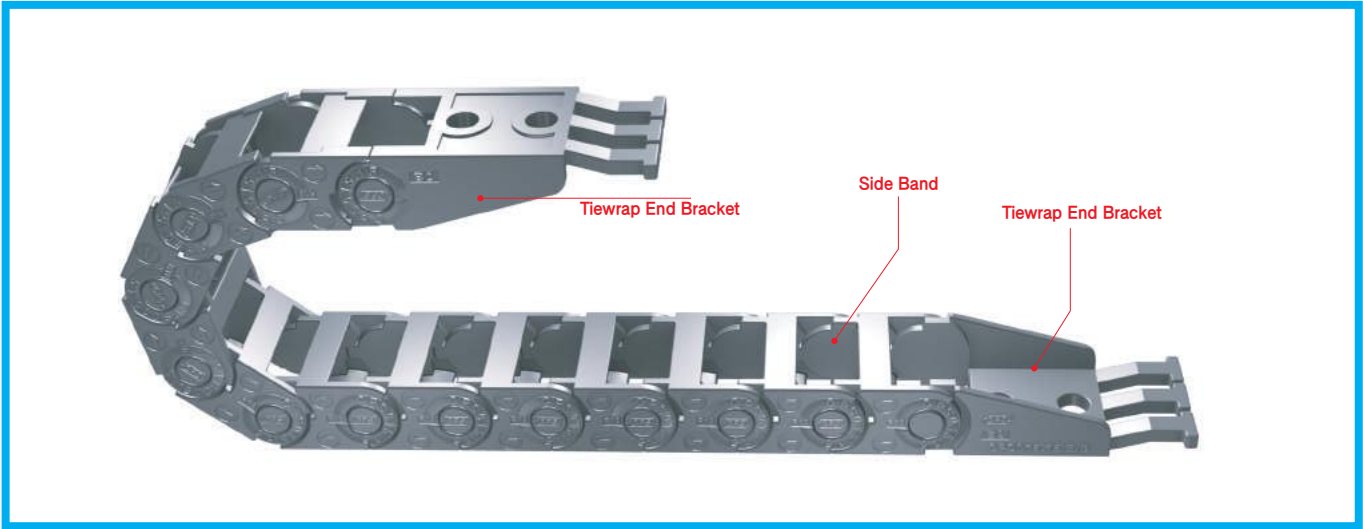


▲ Factory lines.

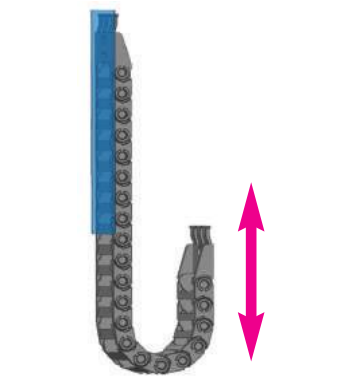


▲ Machine tools.

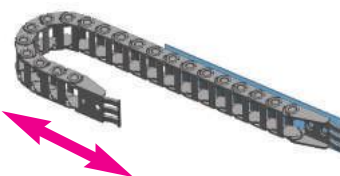
CPS 015



Vertical with curve above



Vertical with curve below



Horizontal application mounted on its side

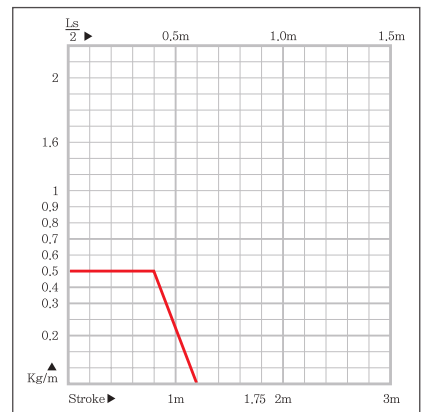
» Calculation of the chain length

$$\left[L = \frac{L_s}{2} + L_p \right]$$

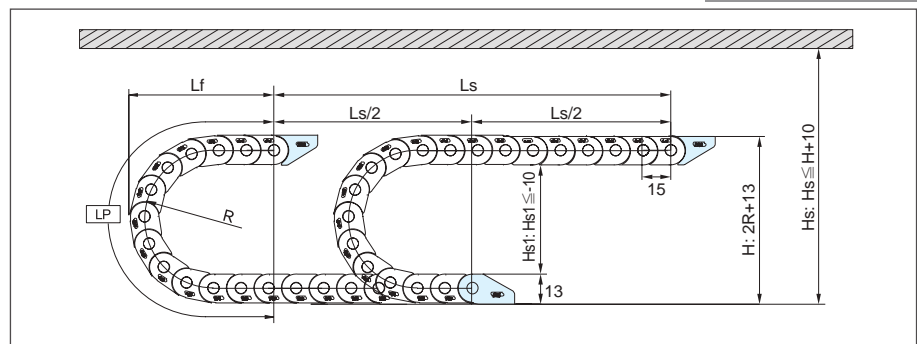
» Other installation length

Vertical curve above = max 0,8m
 Vertical curve below = max 3,0m
 Side Mounted, Unsupported = max 0,2m

» Load diagrams self-supporting length



» Layout of the chain



Bending Radius (R)	L _p Loop Length	L _f Loof Projection	H Moving Height
18	117	55	49
28	148	65	69
38	180	75	89

(Dimensions in mm)

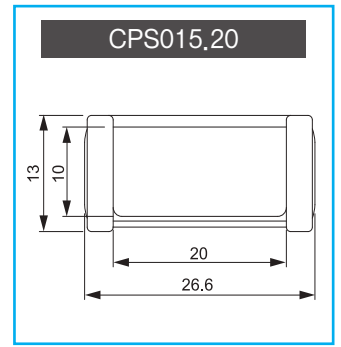
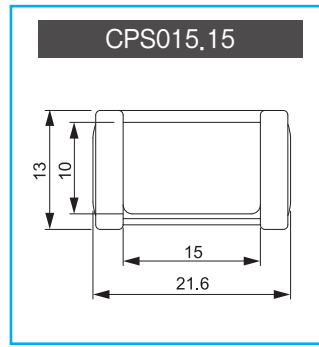
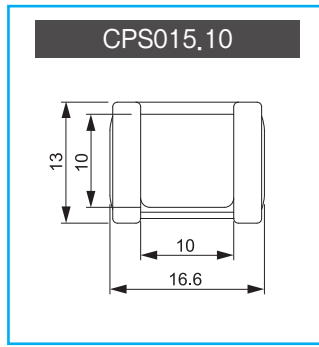
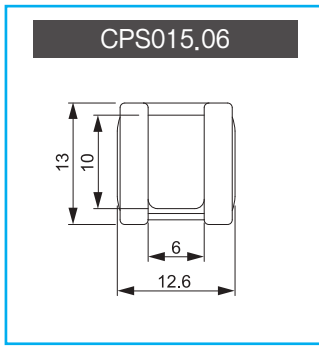
» Chain radius, Weight

Chain Type	Bending Radius (R)	Weight kg/m
CPS 015,06		0,100
CPS 015,10		0,106
CPS 015,15	18, 28, 38	0,111
CPS 015,20		0,115

(Dimensions in mm)

» Chain cross section

(Dimensions in mm)



» End bracket (Tie wrap type)

(Dimensions in mm)

