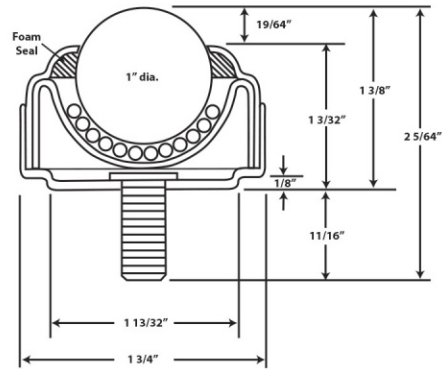


- STUD MOUNT
- MACHINED STUD MOUNT
- FLANGE MOUNT
- MACHINED PRESS MOUNT
- ROUND MOUNT
- DISK MOUNT
- BOLT DOWN DISK MOUNT
- SPRING LOADED PRESS MOUNT
- SPRING LOADED FLANGE MOUNT
- PIPE MOUNT



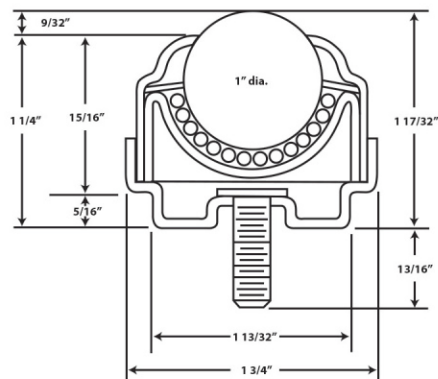
Stud Mount



These units are steel ball transfers with your choice of stud sizes. Sealed and lubricated to prevent less entry of foreign material and increase the life of the unit. The SMS unit in all stainless steel is perfect for food processing plants and corrosive environments. For non-marking applications the nylon ball units are ideal. These medium duty units can be utilized ball up or ball down.

Part#	Ball Material	Housing	Load Capacity	Stud Size
SMC 1/4	Carbon Steel	Carbon Steel (zinc plated)	75 lbs.	1/4-20
NSMC 1/4	Nylon	Carbon Steel (zinc plated)	75 lbs.	1/4-20
SMS 1/4*	Stainless Steel	Stainless Steel	125 lbs.	1/4-20
NSMS 1/4*	Nylon	Stainless Steel	75 lbs.	1/4-20
SMC 5/16	Carbon Steel	Carbon Steel (zinc plated)	75 lbs.	5/16-18
NSMC 5/16	Nylon	Carbon Steel (zinc plated)	75 lbs.	5/16-18
SMS 5/16*	Stainless Steel	Stainless Steel	125 lbs.	5/16-18
NSMS 5/16*	Nylon	Stainless Steel	75 lbs.	5/16-18
SMC 3/8	Carbon Steel	Carbon Steel (zinc plated)	75 lbs.	3/8-16
NSMC 3/8	Nylon	Carbon Steel (zinc plated)	75 lbs.	3/8-16
SMS 3/8*	Stainless Steel	Stainless Steel	125 lbs.	3/8-16
NSMS 3/8*	Nylon	Stainless Steel	75 lbs.	3/8-16

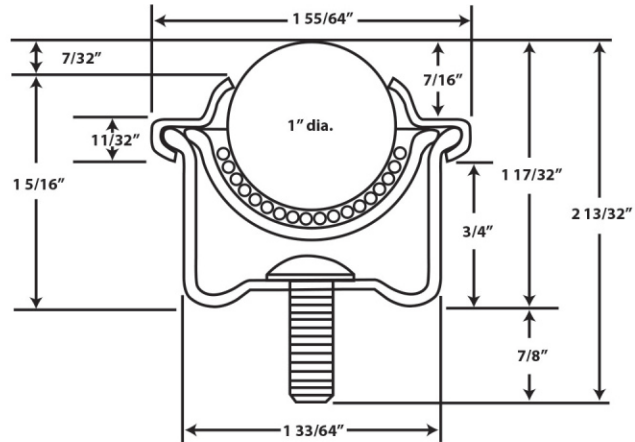
*No foam seal or lubrication in stainless steel



This ball transfer unit has more ball exposure for easier movement of lighter materials. This is our lightest duty stud mount unit, and is available with any configuration of carbon steel, stainless steel and nylon. Can be utilized ball up or ball down.

Part#	Ball Material	Housing	Load Capacity	Stud Size
EHSMC	Carbon Steel	Carbon Steel (zinc plated)	50 lbs.	1/4-20
NEHSMC	Nylon	Carbon Steel (zinc plated)	50 lbs.	1/4-20
EHSMS	Stainless Steel	Stainless Steel	100 lbs.	1/4-20
NEHSMS	Nylon	Stainless Steel	50 lbs.	1/4-20

Stud Mount

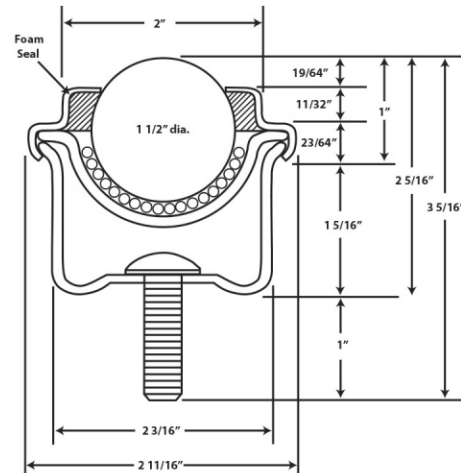


This unit is available with any configuration of carbon steel, stainless steel and nylon. This is a light duty unit that can only be utilized ball up.

Part#	Ball Material	Housing	Load Capacity	Stud Size
LDSMC	Carbon Steel	Carbon Steel (zinc plated)	65 lbs.	1/4-20
NLDSMC	Nylon	Carbon Steel (zinc plated)	65 lbs.	1/4-20
LDSMS	Stainless Steel	Stainless Steel	100 lbs.	1/4-20
NLDSMS	Nylon	Stainless Steel	65 lbs.	1/4-20



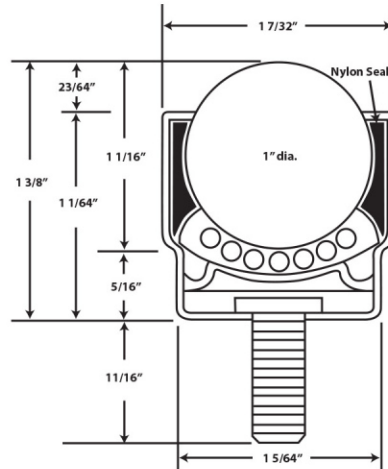
Neoprene pads available to reduce shock, vibration and noise.



This heavy duty stud mount unit is easy to install with the 3/8-16 stud. Unit can be utilized ball up or ball down.

Part#	Ball Material	Housing	Load Capacity	Stud Size
SMC 1-1/2	Carbon Steel	Carbon Steel (zinc plated)	250 lbs.	3/8-16
NSMC 1-1/2	Nylon	Carbon Steel (zinc plated)	250 lbs.	3/8-16
SMS 1-1/2	Stainless Steel	Stainless Steel	350 lbs.	3/8-16
NSMS 1-1/2	Nylon	Stainless Steel	250 lbs.	3/8-16

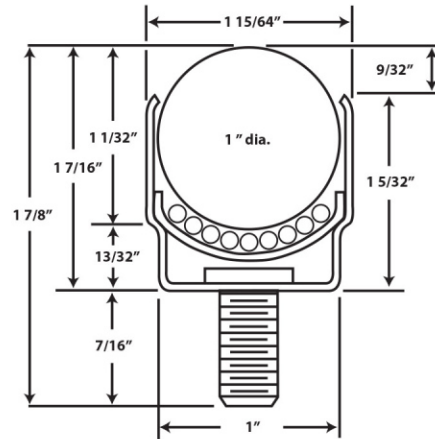
Stud Mount



This unit is designed with a smaller outside diameter for multiple unit installation. These medium duty units are sealed with a welded stud, and can only be utilized ball up.

Part#	Ball Material	Housing	Load Capacity	Stud Size
LSC 5/16	Carbon Steel	Black Oxide Finished Carbon Steel	65 lbs.	5/16-18
NLSC 5/16	Nylon	Black Oxide Finished Carbon Steel	65 lbs.	5/16-18
LPC	Carbon Steel	Black Oxide Finished Carbon Steel	65 lbs.	No Stud
NLPC	Nylon	Black Oxide Finished Carbon Steel	65 lbs.	No Stud

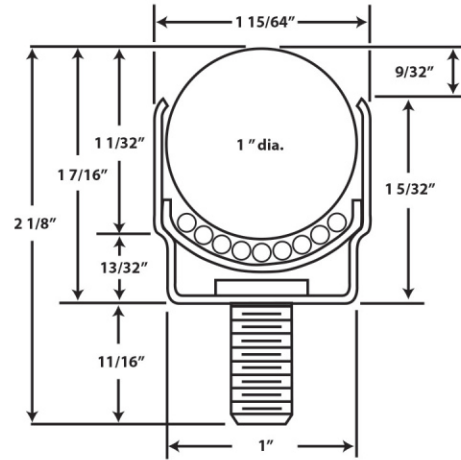
Not available in stainless steel. Manufactured with a nylon seal and a welded stud.



This unit is designed for multiple unit installation. These heavy duty units are sealed with a welded stud and can be utilized ball up, ball down or at any angle.

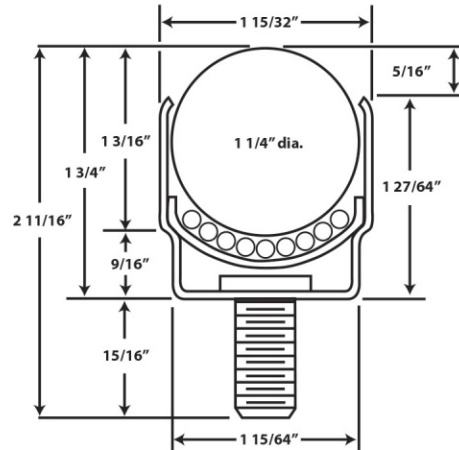
Part#	Ball Material	Housing	Load Capacity	Stud Size
HSC 1/4	Carbon Steel	Black Oxide Finished Carbon Steel	150 lbs.	1/4-20
NHSC 1/4	Nylon	Black Oxide Finished Carbon Steel	75 lbs.	1/4-20

Stud Mount



This unit is designed for multiple unit installation. These heavy duty units are sealed with a welded stud, and can be utilized ball up, ball down or at any angle.

Part#	Ball Material	Housing	Load Capacity	Stud Size
HSC 5/16	Carbon Steel	Black Oxide Finished Carbon Steel	150 lbs.	5/16-18
NHSC 5/16	Nylon	Black Oxide Finished Carbon Steel	75 lbs.	5/16-18

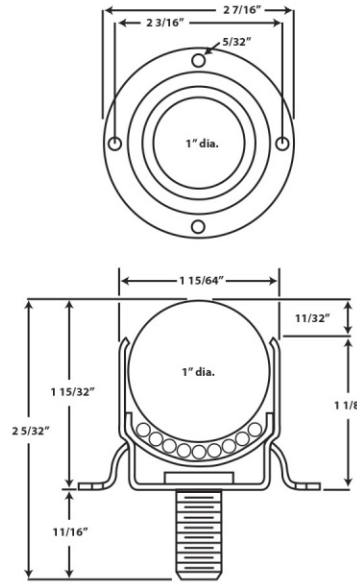


This heavy duty stud mount unit is constructed with stamped/drawn carbon steel housing with a welded stud. Can be utilized ball up, ball down or at any angle.

Part#	Ball Material	Housing	Load Capacity	Stud Size
HSC 1-1/4	Carbon Steel	Black Oxide Finished Carbon Steel	250 lbs.	3/8-16
NHSC 1-1/4	Nylon	Black Oxide Finished Carbon Steel	250 lbs.	3/8-16

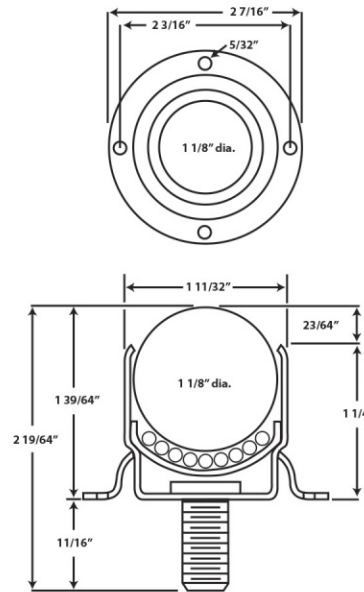
Not available in stainless steel.

Stud Mount



This unit of carbon steel is intended only as a basic guide for caster or ball transfer selection. Transfers can be used ball up, ball down or at any angle. Product can be pop riveted.

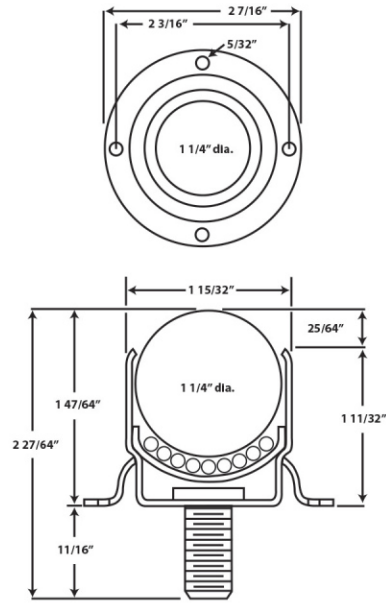
Part#	Ball Material	Housing	Load Capacity	Stud Size
BD-R-SMC 3/8	Carbon Steel	Black Oxide Finished Carbon Steel	150 lbs.	3/8-16



This unit of carbon steel is intended only as a basic guide for caster or ball transfer selection. Transfers can be used ball up, ball down or at any angle. Product can be pop riveted.

Part#	Ball Material	Housing	Load Capacity	Stud Size
1-1/8 BD-R-SMC 3/8	Carbon Steel	Black Oxide Finished Carbon Steel	200 lbs.	3/8-16

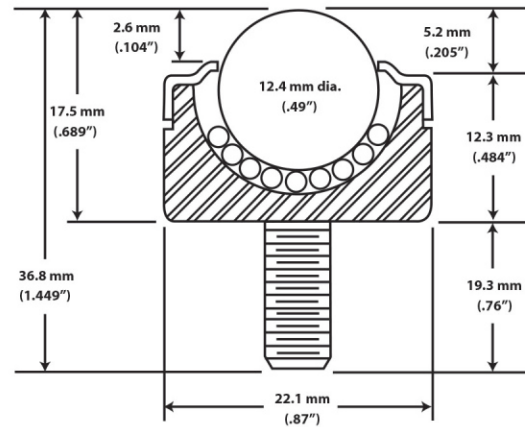
Stud Mount



This unit of carbon steel is intended only as a basic guide for caster or ball transfer selection. Transfers can be used ball up, ball down or at any angle. Product can be pop riveted.

Part#	Ball Material	Housing	Load Capacity	Stud Size
1-1/4 BD-R-SMC 3/8	Carbon Steel	Black Oxide Finished Carbon Steel	250 lbs.	3/8-16

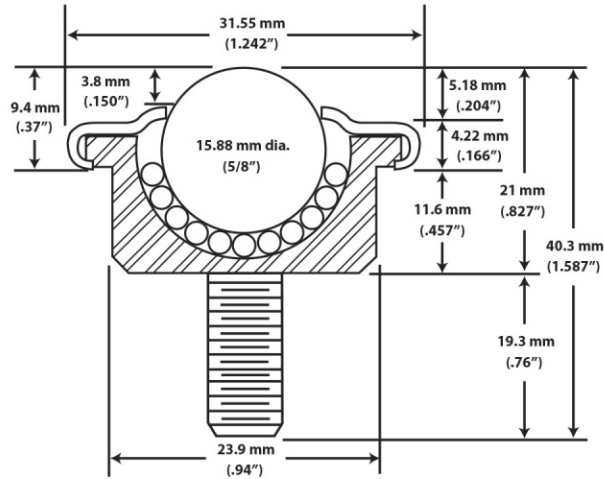
Machined Stud Mount



A miniature stud mount unit constructed of solid CNC machined, case hardened carbon steel with a stamped carbon steel top cover. Can be used ball up or ball down.

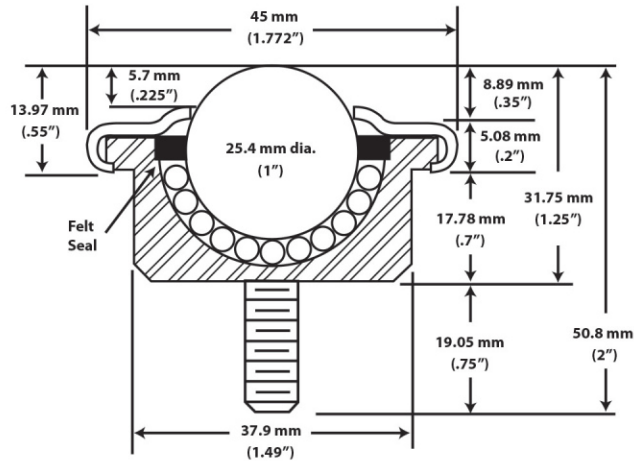
Part#	Ball Material	Housing	Load Capacity	Stud Size
12 MSMC	Carbon Steel	Carbon Steel (zinc plated)	65 lbs.	1/4-20
12 NMSMC	Nylon	Carbon Steel (zinc plated)	65 lbs.	1/4-20
12 MSMS	Stainless Steel	Stainless Steel	100 lbs.	1/4-20
12 NMSMS	Nylon	Stainless Steel	65 lbs.	1/4-20

Machined Stud Mount



This medium duty stud mount unit is constructed of solid CNC machined, case hardened carbon steel with a stamped carbon steel top cover.

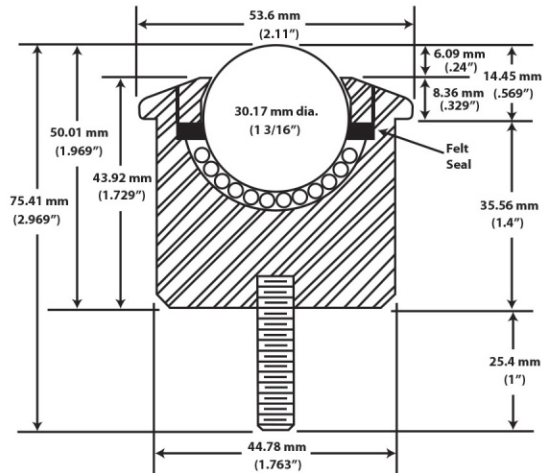
Part#	Ball Material	Housing	Load Capacity	Stud Size
15 MSMC	Carbon Steel	Carbon Steel (zinc plated)	130 lbs.	1/4-20
15 NMSMC	Nylon	Carbon Steel (zinc plated)	130 lbs.	1/4-20
15 MSMS	Stainless Steel	Stainless Steel	200 lbs.	1/4-20
15 NMSMS	Nylon	Stainless Steel	130 lbs.	1/4-20



This heavy duty stud mount unit is constructed of solid CNC machined, case hardened carbon steel with a stamped carbon steel top cover. This unit utilizes an oiled felt sealing system.

Part#	Ball Material	Housing	Load Capacity	Stud Size
25 MSMC	Carbon Steel	Carbon Steel (zinc plated)	440 lbs.	5/16-18
25 NMSMC	Nylon	Carbon Steel (zinc plated)	440 lbs.	5/16-18
25 MSMS	Stainless Steel	Stainless Steel	550 lbs.	5/16-18
25 NMSMS	Nylon	Stainless Steel	440 lbs.	5/16-18

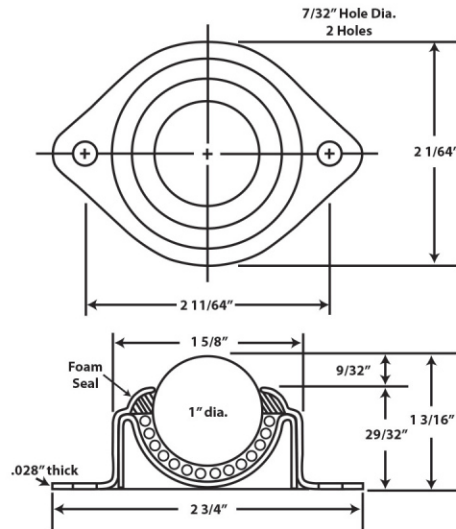
Machined Stud Mount



This heavy duty stud mount unit is constructed of solid CNC machined, case hardened carbon steel with a machined carbon steel top cover. This unit utilizes an oiled felt sealing system and is easily installed with its 3/8-16 stud.

Part#	Ball Material	Housing	Load Capacity	Stud Size
30 MSMC	Carbon Steel	Carbon Steel (zinc plated)	770 lbs.	3/8-16
30 NMSMC	Nylon	Carbon Steel (zinc plated)	770 lbs.	3/8-16
30 MSMS	Stainless Steel	Stainless Steel	970 lbs.	3/8-16
30 NMSMS	Nylon	Stainless Steel	770 lbs.	3/8-16

Flange Mount



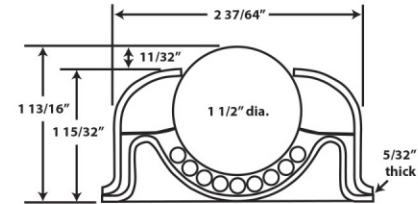
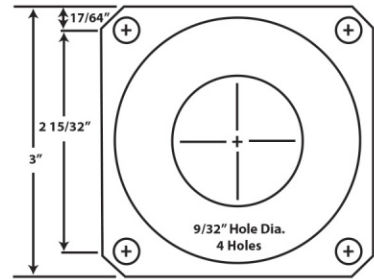
This unit has a two-hole flange base for easy mounting. Hardened ball cup and sealed protective cover permit low torque and long life. This unit can be utilized ball up or ball down.

Part#	Ball Material	Housing	Load Capacity
FMC	Carbon Steel	Carbon Steel (zinc plated)	75 lbs.
NFMC	Nylon	Carbon Steel (zinc plated)	75 lbs.
FMS	Stainless Steel	Stainless Steel	125 lbs.
NFMS	Nylon	Stainless Steel	75 lbs.

Flange Mount



Neoprene pads available to reduce shock, vibration and noise.

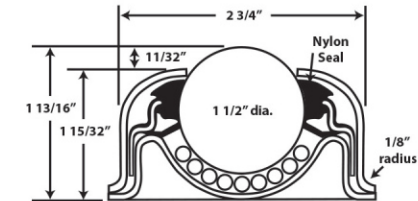
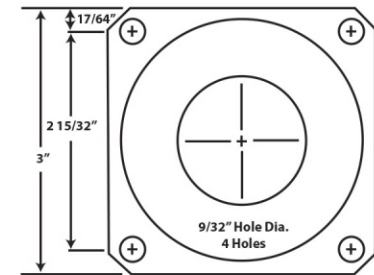


With a 250 pound load capacity, this heavy duty unit is available in all-carbon steel, all stainless steel and as a carbon or stainless housing with a nylon main ball. It has a four-hole flange to facilitate easy installation. Can be utilized ball up or ball down.

Part#	Ball Material	Housing	Load Capacity
1-1/2 EFMC	Carbon Steel	Carbon Steel (zinc plated)	250 lbs.
1-1/2 NEFMC	Nylon	Carbon Steel (zinc plated)	250 lbs.
1-1/2 EFMS	Stainless Steel	Stainless Steel	350 lbs.
1-1/2 NEFMS	Nylon	Stainless Steel	250 lbs.



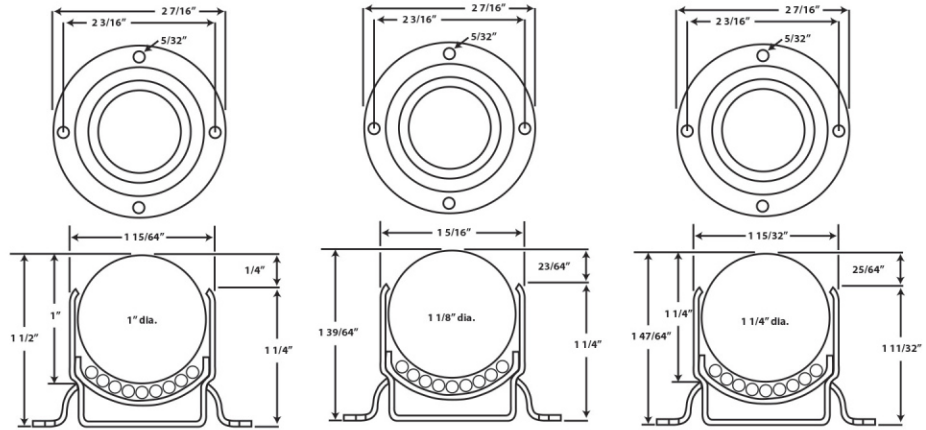
Neoprene pads available to reduce shock, vibration and noise.



This heavy duty unit has a four-hole flange to facilitate easy installation. The nylon seal prevents entry of dirt and foreign matter while a removable armored protective cover provides ultimate protection against damage. This unit can be utilized ball up only.

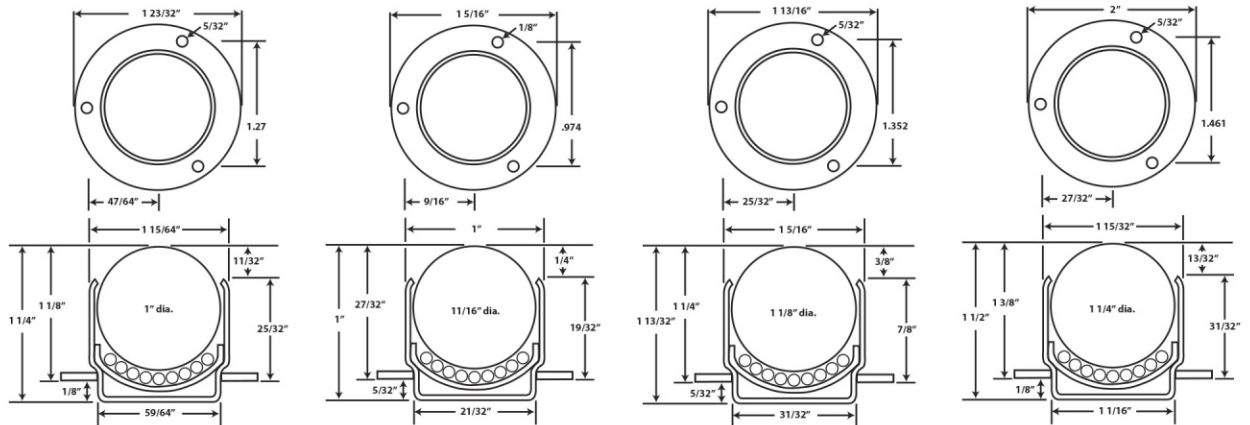
Part#	Ball Material	Housing	Load Capacity
1-1/2 FMC	Carbon Steel	Carbon Steel (zinc plated)	250 lbs.
1-1/2 NFMC	Nylon	Carbon Steel (zinc plated)	250 lbs.
1-1/2 FMS	Stainless Steel	Stainless Steel	350 lbs.
1-1/2 NFMS	Nylon	Stainless Steel	250 lbs.

Flange Mount



This ball transfer unit of carbon steel component is intended only as a basic guide for caster or ball transfer selection. Transfers can be used ball up, ball down or at any angle. Product can be pop riveted.

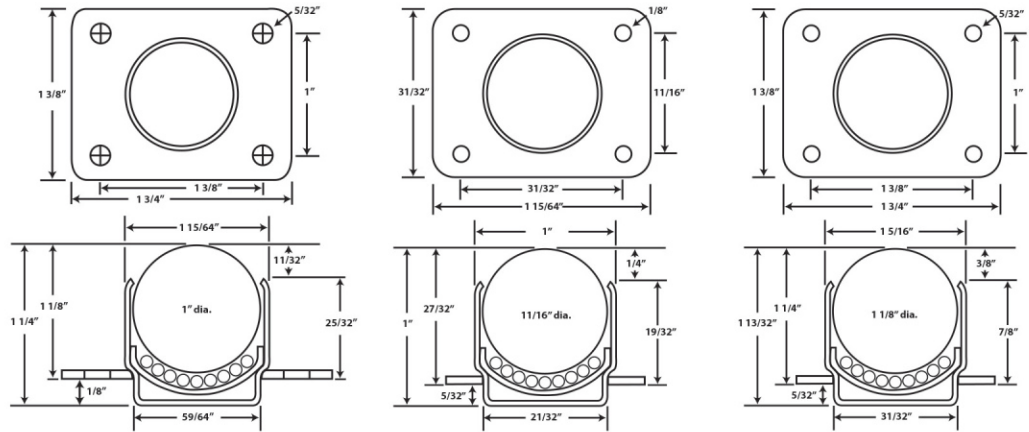
Part#	Ball Material	Housing	Load Capacity
BD-R-FMC	Carbon Steel	Black Oxide Finished Carbon Steel	135 lbs.
1-1/8 BD-R-FMC	Carbon Steel	Black Oxide Finished Carbon Steel	180 lbs.
1-1/4 BD-R-FMC	Carbon Steel	Black Oxide Finished Carbon Steel	225 lbs.



This is a low profile unit and is easy to install. Unit can be utilized ball up, ball down or at any angle.

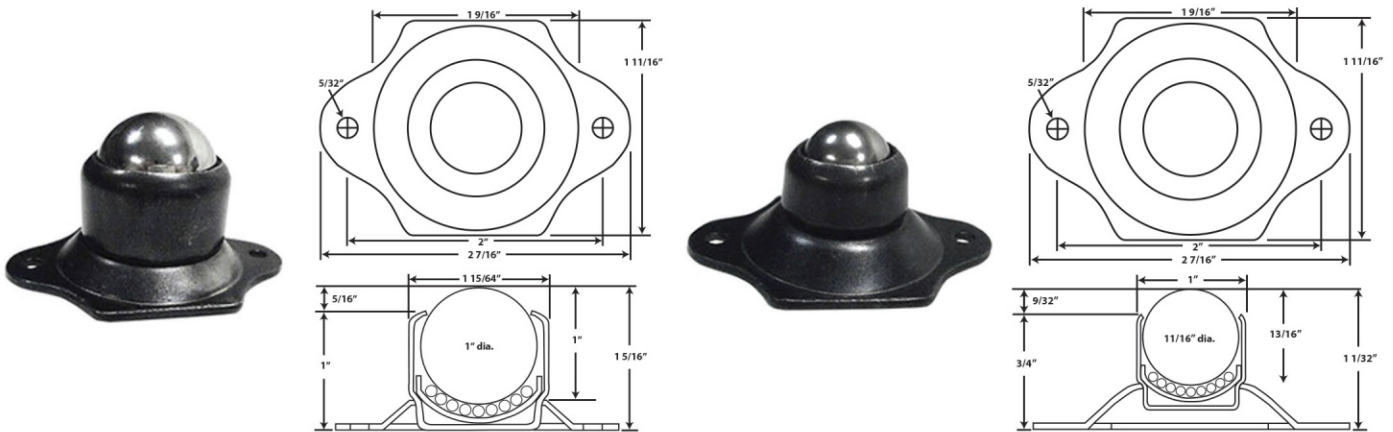
Part#	Ball Material	Housing	Load Capacity
CS-R-FMC	Carbon Steel	Black Oxide Finished Carbon Steel	135 lbs.
11/16 CS-R-FMC	Carbon Steel	Black Oxide Finished Carbon Steel	90 lbs.
1-1/8 CS-R-FMC	Carbon Steel	Black Oxide Finished Carbon Steel	180 lbs.
1-1/4 CS-R-FMC	Carbon Steel	Black Oxide Finished Carbon Steel	250 lbs.

Flange Mount



This ball transfer unit of carbon steel component is intended only as a basic guide for caster or ball transfer selection. Transfers can be used ball up, ball down or at any angle. Product can be pop riveted.

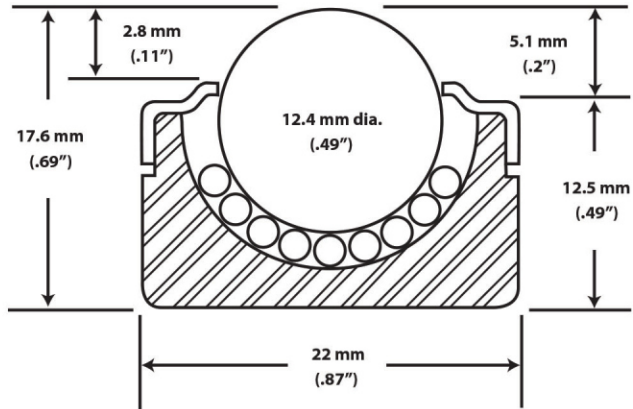
Part#	Ball Material	Housing	Load Capacity
CS-S-FMC	Carbon Steel	Black Oxide Finished Carbon Steel	135 lbs.
11/16 CS-S-FMC	Carbon Steel	Black Oxide Finished Carbon Steel	90 lbs.
1-1/8 CS-S-FMC	Carbon Steel	Black Oxide Finished Carbon Steel	180 lbs.



This unit has a two-hole flange base for easy mounting. This unit can be utilized ball up, ball down or at any angle, unless noted.

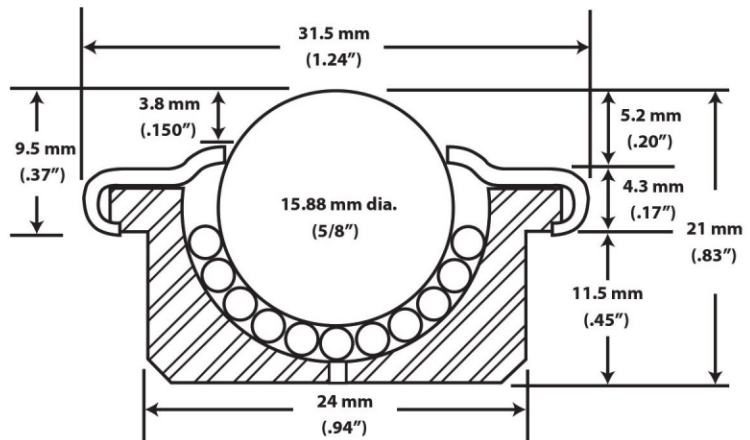
Part#	Ball Material	Housing	Load Capacity
OB-FMC	Carbon Steel	Black Oxide Finished Carbon Steel	135 lbs.
11/16 OB-FMC	Carbon Steel	Black Oxide Finished Carbon Steel	90 lbs.

Machined Press Mount



This miniature press mount unit is constructed of solid CNC machined, case hardened carbon steel with a stamped carbon steel top cover.

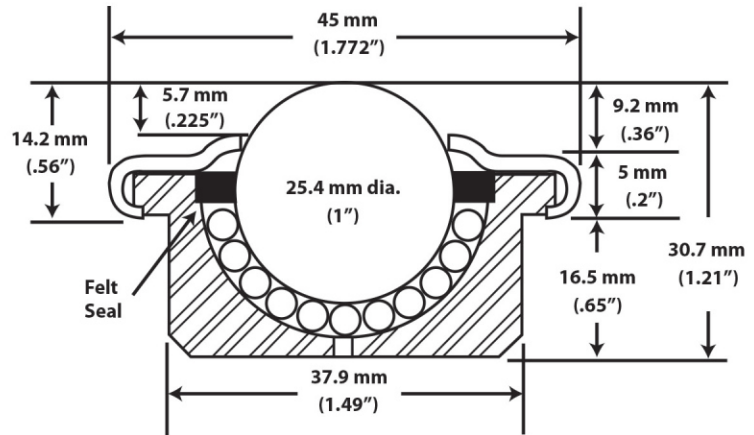
Part#	Ball Material	Housing	Load Capacity
12 MPC	Carbon Steel	Carbon Steel (zinc plated)	65 lbs.
12 NMPC	Nylon	Carbon Steel (zinc plated)	65 lbs.
12 MPS	Stainless Steel	Stainless Steel	100 lbs.
12 NMPS	Nylon	Stainless Steel	65 lbs.



This press mount unit is constructed of solid CNC machined, case hardened carbon steel with a stamped carbon steel top cover and a self cleaning hole for optimal performance.

Part#	Ball Material	Housing	Load Capacity
15 MPC	Carbon Steel	Carbon Steel (zinc plated)	130 lbs.
15 NMPC	Nylon	Carbon Steel (zinc plated)	130 lbs.
15 MPS	Stainless Steel	Stainless Steel	200 lbs.
15 NMPS	Nylon	Stainless Steel	130 lbs.

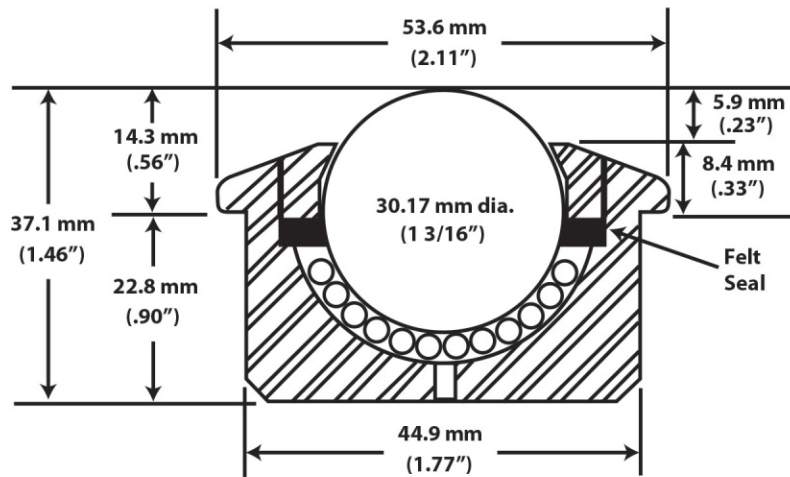
Machined Press Mount



This press mount unit is constructed of solid CNC machined, case hardened carbon steel with a stamped carbon steel top cover and a self cleaning hole for optimal performance.

No felt seal or lubrication in stainless steel.

Part#	Ball Material	Housing	Load Capacity
25 MPC	Carbon Steel	Carbon Steel (zinc plated)	440 lbs.
25 NMPC	Nylon	Carbon Steel (zinc plated)	440 lbs.
25 MPS	Stainless Steel	Stainless Steel	550 lbs.
25 NMPS	Nylon	Stainless Steel	440 lbs.

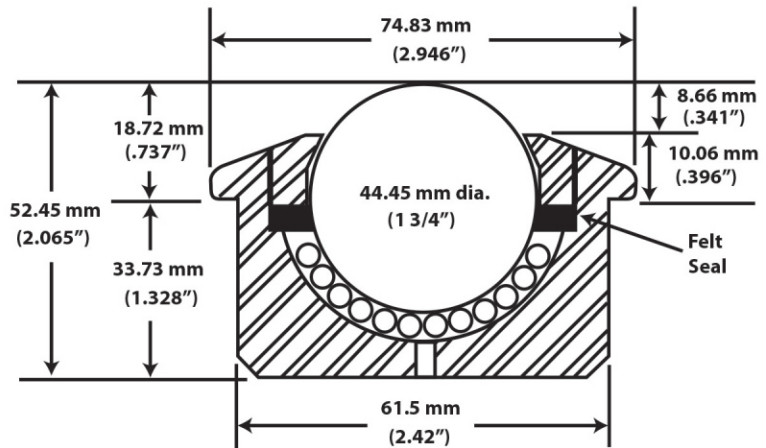


This press mount unit is constructed of solid CNC machined, case hardened carbon steel with a machined carbon steel top cover. This unit utilizes an oiled felt sealing system and a self cleaning hole for optimal performance.

No felt seal or lubrication in stainless steel.

Part#	Ball Material	Housing	Load Capacity
30 MPC	Carbon Steel	Carbon Steel (zinc plated)	770 lbs.
30 NMPC	Nylon	Carbon Steel (zinc plated)	770 lbs.
30 MPS	Stainless Steel	Stainless Steel	970 lbs.
30 NMPS	Nylon	Stainless Steel	770 lbs.

Machined Press Mount

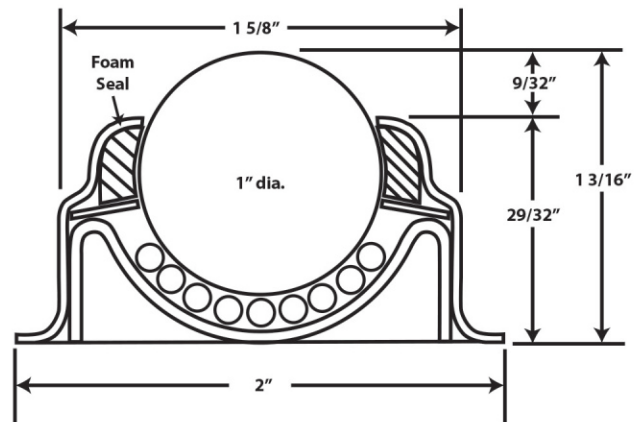


This press mount unit is constructed of solid CNC machined, case hardened carbon steel with a machined carbon steel top cover. This unit utilizes an oiled felt sealing system and a self cleaning hole for optimal performance.

No felt seal or lubrication in stainless steel.

Part#	Ball Material	Housing	Load Capacity
45 MPC	Carbon Steel	Carbon Steel (zinc plated)	1325 lbs.
45 NMPC	Nylon	Carbon Steel (zinc plated)	1325 lbs.
45 MPS	Stainless Steel	Stainless Steel	1575 lbs.
45 NMPS	Nylon	Stainless Steel	1325 lbs.

Round Mount

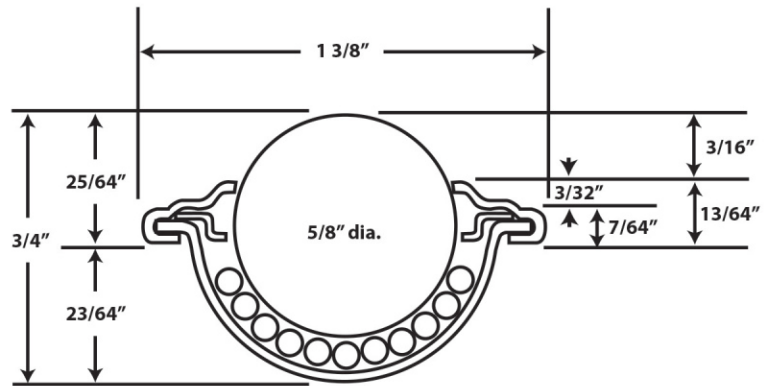


These medium duty units contain a foam seal to prevent dust and foreign material from entering. They can be utilized ball up or ball down.

No foam seal or lubrication in stainless steel.

Part#	Ball Material	Housing	Load Capacity
RMC	Carbon Steel	Carbon Steel (zinc plated)	75 lbs.
NRMC	Nylon	Carbon Steel (zinc plated)	75 lbs.
RMS	Stainless Steel	Stainless Steel	125 lbs.
NRMS	Nylon	Stainless Steel	75 lbs.

Disk Mount

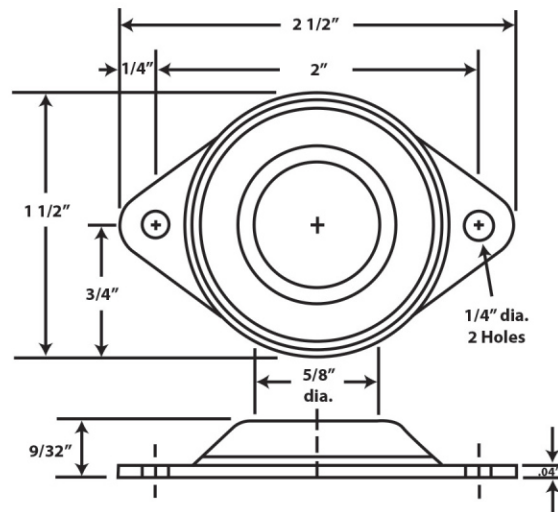


This is a low profile unit and is easily installed. It can be utilized ball up or ball down. Bolt down cover is available for stability. Disk mount ball is the easiest installation just by dropping these units into your application. They can be used with or without the bolt down covers.

5/8 DMC - No nylon seal

Part#	Ball Material	Housing	Load Capacity
5/8 DMC	Carbon Steel	Carbon Steel (zinc plated)	40 lbs.
5/8 NDMC	Nylon	Carbon Steel (zinc plated)	40 lbs.
5/8 DMS	Stainless Steel	Stainless Steel	75 lbs.
5/8 NDMS	Nylon	Stainless Steel	40 lbs.

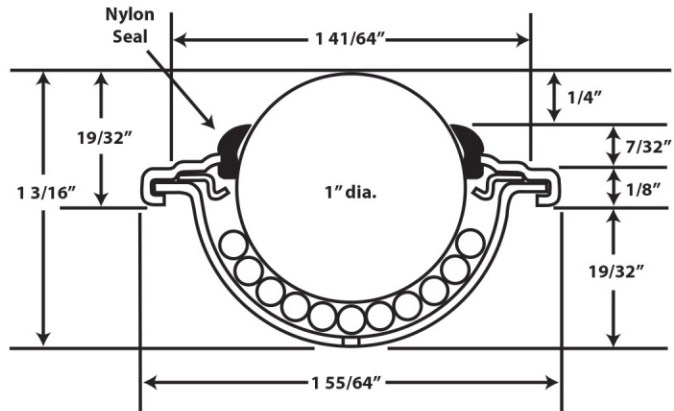
Disk Mount Cover



The 5/8" DMC bolt down cover allows the ball transfer unit to stay in place when uneven material is pulled across.

5/8" DMC Cover Item#	
55269	Carbon Steel
55269S	Stainless Steel

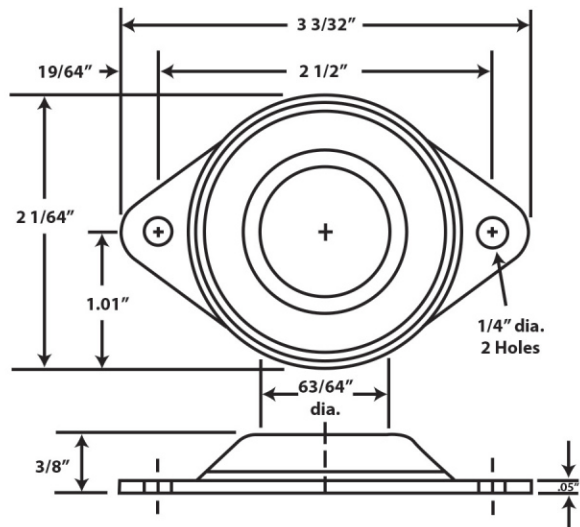
Disk Mount



This low profile unit has a nylon wiper seal and is easy to install. The unit can be utilized ball up or ball down. Heavy duty bolt down cover is also available. They can also be used without the bolt down covers.

Part#	Ball Material	Housing	Load Capacity
DMC	Carbon Steel	Carbon Steel (zinc plated)	75 lbs.
NDMC	Nylon	Carbon Steel (zinc plated)	75 lbs.
DMS	Stainless Steel	Stainless Steel	125 lbs.
NDMS	Nylon	Stainless Steel	75 lbs.

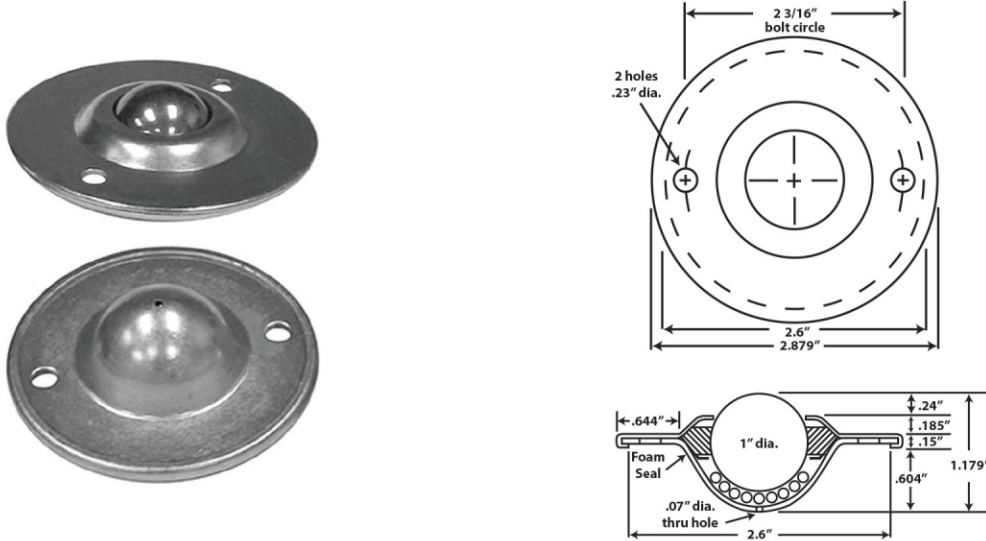
Disk Mount Cover



The DMC bolt down cover allows the ball transfer unit to stay in place when moving heavier or uneven material.

DMC Cover Item#	
55270	Carbon Steel
55270S	Stainless Steel

Bolt Down Disk Mount



This medium duty unit has a foam seal to prevent the entry of foreign materials. This bolt down unit is a great low profile ball transfer. It is easy to install and great for moving uneven material.

No foam seal or lubrication in stainless steel.

Part#	Ball Material	Housing	Load Capacity
BD-DMC	Carbon Steel	Carbon Steel (zinc plated)	75 lbs.
BD-NDMC	Nylon	Carbon Steel (zinc plated)	75 lbs.
BD-DMS	Stainless Steel	Stainless Steel	125 lbs.
BD-NDMS	Nylon	Stainless Steel	75 lbs.

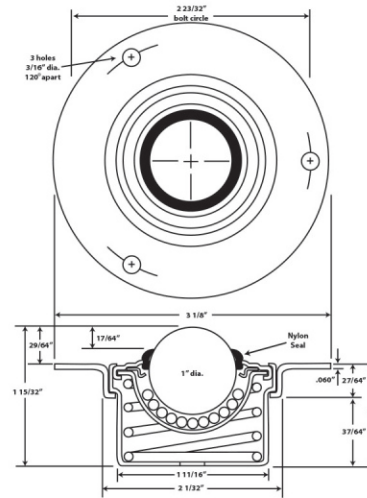
Spring Loaded Press Mount



This unit has a pre-loaded 65 lb. spring that allows for a 1/4" vertical ball deflection built into the sealed, self contained unit. The molded nylon seal prevents entry of dust. This unit has a press fit for easy drop-in installation.

Part#	Ball Material	Housing	Load Capacity
SLC	Carbon Steel	Carbon Steel (zinc plated)	65 lbs.

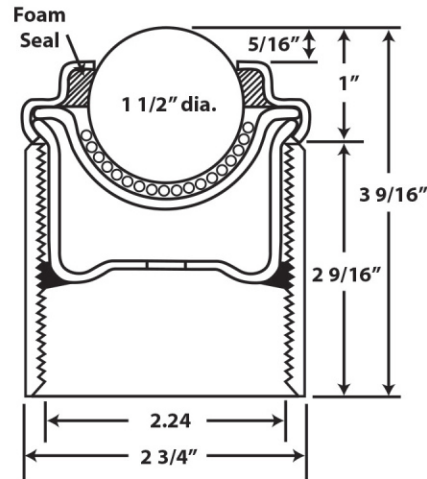
Spring Loaded Flange Mount



This unit has a pre-loaded 65 lb. spring that allows for a 1/4" vertical ball deflection built into the sealed, self contained unit. The molded nylon seal prevents entry of dust. The 3-hole flange allows for easy installation.

Part#	Ball Material	Housing	Load Capacity
FSLC	Carbon Steel	Carbon Steel (zinc plated)	65 lbs.
NFSLC	Nylon	Carbon Steel (zinc plated)	65 lbs.
FSLS	Stainless Steel	Stainless Steel	65 lbs.
NFSLS	Nylon	Stainless Steel	65 lbs.

Pipe Mount

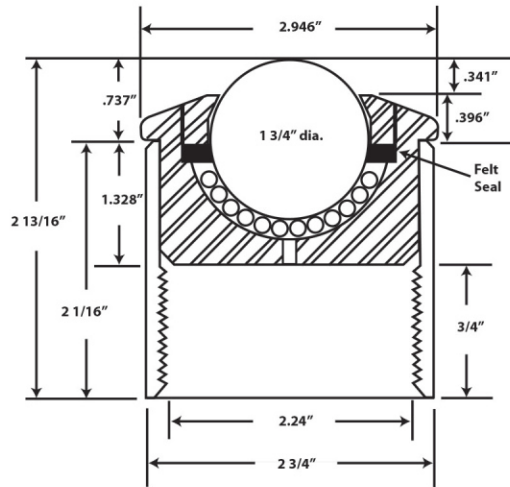


This standard 2" NPT pipe mount unit provides support without hindering the operators movements. When this unit is used in front of shears or press brakes it provides more accurate positioning than casters. Hardened ball and cup provide durability while the sealed housing keeps dirt out for a long life. Also available with a nylon ball to prevent marking.

No foam seal or lubrication in stainless steel

Part#	Ball Material	Housing	Load Capacity
1-1/2 PMC	Carbon Steel	Carbon Steel (zinc plated)	250 lbs.
1-1/2 NPMC	Nylon	Carbon Steel (zinc plated)	175 lbs.
1-1/2 PMS	Stainless Steel	Stainless Steel	350 lbs.
1-1/2 NPMS	Nylon	Stainless Steel	175 lbs.

Pipe Mount



Standard 2" pipe with press mount unit. Constructed of solid CNC machined carbon steel. When used in front of shears or press brakes, this unit provides more accurate positioning than casters. The oiled felt system keeps the ball lubricated and the self-cleaning hole allows dirt and debris to pass through. Available with a nylon main ball to prevent material marking.

Part#	Ball Material	Housing	Load Capacity
45 MPC-PMC	Carbon Steel	Carbon Steel (zinc plated)	1325 lbs.
45 NMPC-PMC	Nylon	Carbon Steel (zinc plated)	1325 lbs.

Contact us:

**2965 Pittsburgh Road
Perryopolis, PA 15473
P: 724-736-0600
F: 724-736-8082
sales@balltransfer.com**