

**SRC-I CLIP HP****Weidmüller Interface GmbH & Co. KG**

Klingenbergstraße 26

D-32758 Detmold

Germany

www.weidmueller.com

**Product image**

Retaining clip for RIDERSERIES RCI relays

- Metal and plastic retaining clip

**General ordering data**

|            |                                 |
|------------|---------------------------------|
| Version    | RIDERSERIES RCI, Retaining clip |
| Order No.  | <a href="#">8869510000</a>      |
| Type       | SRC-I CLIP HP                   |
| GTIN (EAN) | 40322486 14462                  |
| Qty.       | 10 pc(s).                       |

Creation date January 8, 2022 10:23:05 AM CET

Catalogue status 17.12.2021 / We reserve the right to make technical changes.

## SRC-I CLIP HP

Weidmüller Interface GmbH &amp; Co. KG

Klingenbergstraße 26

D-32758 Detmold

Germany

www.weidmueller.com

## Technical data

## Dimensions and weights

|            |         |                 |            |
|------------|---------|-----------------|------------|
| Depth      | 45.6 mm | Depth (inches)  | 1.795 inch |
| Height     | 16.6 mm | Height (inches) | 0.654 inch |
| Width      | 15.5 mm | Width (inches)  | 0.61 inch  |
| Net weight | 1.92 g  |                 |            |

## Temperatures

|                     |  |                       |                |
|---------------------|--|-----------------------|----------------|
| Storage temperature | -40 °C...85 °C                                 | Operating temperature | -40 °C...70 °C |
| Humidity            | 40 °C / 93 % rel. humidity,<br>no condensation |                       |                |

## General data

|         |                 |          |         |
|---------|-----------------|----------|---------|
| Version | for high relays | Material | Plastic |
| Colour  | orange          |          |         |

## Classifications

|             |             |             |             |
|-------------|-------------|-------------|-------------|
| ETIM 6.0    | EC002586    | ETIM 7.0    | EC002586    |
| ETIM 8.0    | EC002586    | ECLASS 9.1  | 27-37-16-92 |
| ECLASS 10.0 | 27-37-16-92 | ECLASS 11.0 | 27-37-16-92 |

## Approvals

Approvals



ROHS

Conform

## Downloads

|                  |  |
|------------------|--|
| Engineering Data | <a href="#">CAD data – STEP</a>          |
| Engineering Data | <a href="#">EPLAN, WSCAD</a>             |
| Catalogues       | <a href="#">Catalogues in PDF-format</a> |
| Brochures        |  |

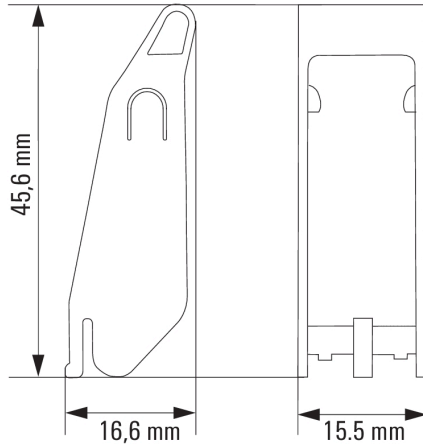
**SRC-I CLIP HP**

**Weidmüller Interface GmbH & Co. KG**  
Klingenbergstraße 26  
D-32758 Detmold  
Germany

[www.weidmueller.com](http://www.weidmueller.com)

**Drawings**

**Dimensional drawing**



**SRC-I CLIP HP**

**Weidmüller Interface GmbH & Co. KG**  
 Klingenbergstraße 26  
 D-32758 Detmold  
 Germany

www.weidmueller.com

**Accessories**

**Blank**



ESG is the tried-and-tested marker in MultiCard format for use on many well-known electrical devices. The result is high-quality device marking with a high-contrast appearance.

Various types are available for devices from manufacturers like Siemens, ABB, Beckhoff etc. Advantages at a glance:

- Tags for universal usage, self-adhesive or clip-on tags, depending on type
- For aligned equipment, e.g. circuit breakers, we supply ESG markers for clipping onto tag rails
- Individual laser-quality printing according to specifications

**For custom printing:** Please send us a file of our labeling software M-Print PRO or M-Print PRO Online (without installation) for your labeling specifications.

**General ordering data**

|            |                            |   |
|------------|----------------------------|---|
| Type       | ESG 6/15 K MC NE GE        | Version   |
| Order No.  | <a href="#">1880130000</a> | ESG, Device markers x 15 mm, PA 66, Colour: yellow, Self-adhesive |
| GTIN (EAN) | 4032248478910              |   |
| Qty.       | 200 pc(s).                 |   |
| Type       | ESG 6/15 K MC NE WS        | Version   |
| Order No.  | <a href="#">1880100000</a> | ESG, Device markers x 15 mm, PA 66, Colour: white, Self-adhesive  |
| GTIN (EAN) | 4032248478781              |   |
| Qty.       | 200 pc(s).                 |   |