

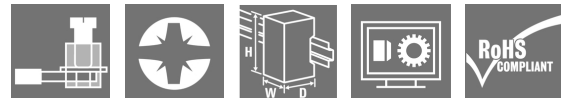
SCM-I 4CO N**Weidmüller Interface GmbH & Co. KG**

Klingenbergstraße 26

D-32758 Detmold

Germany

www.weidmueller.com

Product image

relays sockets for RIDERSERIES RCM relays

- 2, 3 and 4 CO contacts
- Screw and PUSH IN connection
- Standard and low heights

General ordering data

Version	RIDERSERIES RCM, Relay socket, Number of contacts: 4, CO contact, Continuous current: 6 A, Screw connection
Order No.	8869390000
Type	SCM-I 4CO N
GTIN (EAN)	4032248614257
Qty.	10 pc(s).

Creation date January 1, 2022 2:37:59 PM CET

Catalogue status 17.12.2021 / We reserve the right to make technical changes.

SCM-I 4CO N

Weidmüller Interface GmbH & Co. KG

Klingenbergstraße 26

D-32758 Detmold

Germany

www.weidmueller.com

Technical data

Dimensions and weights

Depth	41.5 mm	Depth (inches)	1.634 inch
Height	73.5 mm	Height (inches)	2.894 inch
Width	27.2 mm	Width (inches)	1.071 inch
Net weight	56.4 g		

Temperatures

Storage temperature	-40 °C...70 °C	Operating temperature	-40 °C...70 °C
Humidity	40 °C / 93 % rel. humidity, no condensation		

Environmental Product Compliance

REACH SVHC	Lead 7439-92-1
------------	----------------

Rated data UL

Certificate No. (cURus)	E223759
-------------------------	---------

Load side

Rated switching voltage	250 V AC	Continuous current	6 A
Max. switching voltage, AC	250 V	Contact type	4 CO contact

General data

Version	flat design	Rail	TS 35
Colour	black	UL 94 flammability rating	V-0

Insulation coordination

Rated voltage	250 V	Pollution severity	2
Surge voltage category	III	Insulating material group	IIIa
Clearance and creepage distances for control side - load side	≥ 4 mm	Dielectric strength for control side - load side	2.5 kV _{eff} / 1 Min.
Type of isolation at input and output	Basic insulation	Dielectric strength of neighbouring contacts	2 kV _{eff} / 1 min
Type of isolation at neighbouring contacts	Basic insulation	Dielectric strength of open contact	1.2 kV _{eff} / 1 min.
Protection degree	IP20		

Further details of approvals / standards

Standards	IEC 61810-1, UL508	Certificate No. (CSA)	249409-2295474
Certificate No. (VDE)	40011762	Certificate No. (cURus)	E223759

SCM-I 4CO N

Weidmüller Interface GmbH & Co. KG

Klingenbergstraße 26

D-32758 Detmold

Germany

www.weidmueller.com

Technical data

Connection data

Wire connection method	Screw connection	Stripping length, rated connection	8 mm
Tightening torque, min.	0.5 Nm	Tightening torque, max.	0.7 Nm
Clamping range, rated connection	2.5 mm ²	Clamping range, min.	1 mm ²
Clamping range, max.	2.5 mm ²	Wire cross-section, solid, min.	1 mm ²
Wire cross-section, solid, max.	2.5 mm ²	Wire connection cross section, finely stranded, min.	1 mm ²
Wire connection cross section, finely stranded, max.	2.5 mm ²	Wire connection cross-section, finely stranded with wire-end ferrules DIN 46228/4, min.	1 mm ²
Wire connection cross-section, finely stranded with wire-end ferrules DIN 46228/4, max.	2.5 mm ²	Conductor cross-section, flexible, AEH (DIN 46228-1), min.	1 mm ²
Conductor cross-section, flexible, AEH (DIN 46228-1), max.	2.5 mm ²	Wire connection cross section, finely stranded, two clampable wires, min.	1 mm ²
Wire cross-section, finely stranded, two clampable wires, max.	1.5 mm ²	Blade size	size PZ1

Classifications

ETIM 6.0	EC001456	ETIM 7.0	EC001456
ETIM 8.0	EC001456	ECLASS 9.0	27-37-16-03
ECLASS 9.1	27-37-16-03	ECLASS 10.0	27-37-16-03
ECLASS 11.0	27-37-16-03		

Important note

Product information IP20 without connected conductor at complete opened clamping yoke connection.

Approvals

Approvals



ROHS	Conform
UL File Number Search	E223759

Downloads

Approval/Certificate/Document of Conformity	EU Konformitätserklärung / EU Declaration of Conformity
Engineering Data	CAD data – STEP
Engineering Data	EPLAN, WSCAD
Catalogues	Catalogues in PDF-format
Brochures	

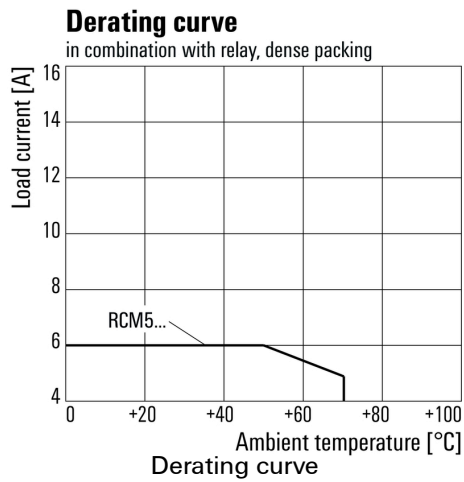
SCM-I 4CO N

Weidmüller Interface GmbH & Co. KG
 Klingenbergstraße 26
 D-32758 Detmold
 Germany

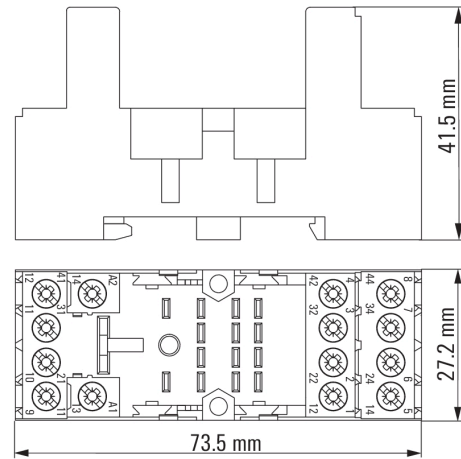
www.weidmueller.com

Drawings

Graph

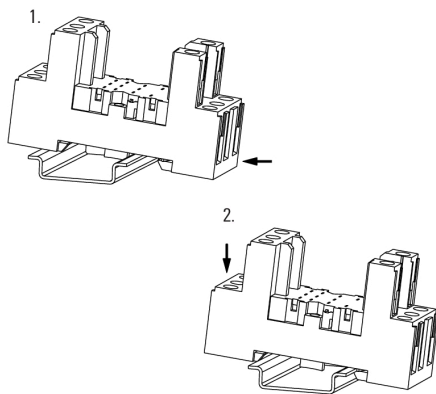


Dimensional drawing



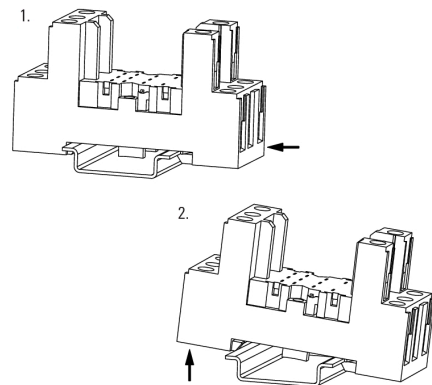
Miscellaneous

Snap on socket



Miscellaneous

Unlatching socket



SCM-I 4CO N

Weidmüller Interface GmbH & Co. KG
 Klingenbergstraße 26
 D-32758 Detmold
 Germany

www.weidmueller.com

Mating connector (fully pluggable)

With LED and test button



Individual relays within the RIDERSERIES RCM

- 2 CO contacts
- Optional AC or DC coils
- With test button and integrated status LED

General ordering data

Type	RCM270T30	Version
Order No.	8689830000	RIDERSERIES RCM, Relay, Number of contacts: 2, CO contact AgNi,
GTIN (EAN)	4032248360505	Rated control voltage: 230 V AC, Continuous current: 12 A, Plug-in
Qty.	10 pc(s).	connection, Test button available: Yes
Type	RCM270R12	Version
Order No.	8689750000	RIDERSERIES RCM, Relay, Number of contacts: 2, CO contact AgNi,
GTIN (EAN)	4032248360420	Rated control voltage: 12 V AC, Continuous current: 12 A, Plug-in
Qty.	10 pc(s).	connection, Test button available: Yes
Type	RCM270S15	Version
Order No.	8689810000	RIDERSERIES RCM, Relay, Number of contacts: 2, CO contact AgNi,
GTIN (EAN)	4032248360482	Rated control voltage: 115 V AC, Continuous current: 12 A, Plug-in
Qty.	10 pc(s).	connection, Test button available: Yes
Type	RCM270L24	Version
Order No.	8689870000	RIDERSERIES RCM, Relay, Number of contacts: 2, CO contact AgNi,
GTIN (EAN)	4032248360543	Rated control voltage: 24 V DC, Continuous current: 12 A, Plug-in
Qty.	10 pc(s).	connection, Test button available: Yes
Type	RCM270R24	Version
Order No.	8689770000	RIDERSERIES RCM, Relay, Number of contacts: 2, CO contact AgNi,
GTIN (EAN)	4032248360444	Rated control voltage: 24 V AC, Continuous current: 12 A, Plug-in
Qty.	10 pc(s).	connection, Test button available: Yes
Type	RCM270L12	Version
Order No.	8689850000	RIDERSERIES RCM, Relay, Number of contacts: 2, CO contact AgNi,
GTIN (EAN)	4032248360529	Rated control voltage: 12 V DC, Continuous current: 12 A, Plug-in
Qty.	10 pc(s).	connection, Test button available: Yes
Type	RCM270L48	Version
Order No.	8689890000	RIDERSERIES RCM, Relay, Number of contacts: 2, CO contact AgNi,
GTIN (EAN)	4032248360567	Rated control voltage: 48 V DC, Continuous current: 12 A, Plug-in
Qty.	10 pc(s).	connection, Test button available: Yes

SCM-I 4CO N

Weidmüller Interface GmbH & Co. KG
 Klingenbergstraße 26
 D-32758 Detmold
 Germany

www.weidmueller.com

Mating connector (fully pluggable)

With LED, test button and free-wheel diode



Individual relays within the RIDERSERIES RCM

- 2 CO contacts
- DC coils
- With integrated status LED, free-wheeling diode and test button

General ordering data

Type	RCM270AC4	Version
Order No.	8957030000	RIDERSERIES RCM, Relay, Number of contacts: 2, CO contact AgNi,
GTIN (EAN)	4032248755301	Rated control voltage: 24 V DC, Continuous current: 12 A, Plug-in connection, Test button available: Yes
Qty.	10 pc(s).	
Type	RCM270AB2	Version
Order No.	8957020000	RIDERSERIES RCM, Relay, Number of contacts: 2, CO contact AgNi,
GTIN (EAN)	4032248755295	Rated control voltage: 12 V DC, Continuous current: 12 A, Plug-in connection, Test button available: Yes
Qty.	10 pc(s).	

With test button



Individual relays within the RIDERSERIES RCM

- 4 CO contacts
- Optional AC or DC coils
- With test button

General ordering data

Type	RCM570110	Version
Order No.	8074700000	RIDERSERIES RCM, Relay, Number of contacts: 4, CO contact AgNi,
GTIN (EAN)	4008190158323	Rated control voltage: 110 V DC, Continuous current: 6 A, Plug-in connection, Test button available: Yes
Qty.	10 pc(s).	
Type	RCM570524	Version
Order No.	8690110000	RIDERSERIES RCM, Relay, Number of contacts: 4, CO contact AgNi,
GTIN (EAN)	4032248360772	Rated control voltage: 24 V AC, Continuous current: 6 A, Plug-in connection, Test button available: Yes
Qty.	10 pc(s).	
Type	RCM570512	Version
Order No.	8074760000	RIDERSERIES RCM, Relay, Number of contacts: 4, CO contact AgNi,
GTIN (EAN)	4008190100711	Rated control voltage: 12 V AC, Continuous current: 6 A, Plug-in connection, Test button available: Yes
Qty.	10 pc(s).	
Type	RCM570548	Version
Order No.	1180900000	RIDERSERIES RCM, Relay, Number of contacts: 4, CO contact AgNi,
GTIN (EAN)	4008190172978	Rated control voltage: 48 V AC, Continuous current: 6 A, Plug-in connection, Test button available: Yes
Qty.	10 pc(s).	

SCM-I 4CO N

Weidmüller Interface GmbH & Co. KG
 Klingenbergstraße 26
 D-32758 Detmold
 Germany

www.weidmueller.com

Mating connector (fully pluggable)

Type	RCM570048	Version
Order No.	8074670000	RIDERSERIES RCM, Relay, Number of contacts: 4, CO contact AgNi,
GTIN (EAN)	4008190047467	Rated control voltage: 48 V DC, Continuous current: 6 A, Plug-in
Qty.	10 pc(s).	connection, Test button available: Yes
Type	RCM570060	Version
Order No.	8074680000	RIDERSERIES RCM, Relay, Number of contacts: 4, CO contact AgNi,
GTIN (EAN)	4008190119836	Rated control voltage: 60 V DC, Continuous current: 6 A, Plug-in
Qty.	10 pc(s).	connection, Test button available: Yes
Type	RCM570730	Version
Order No.	1181100000	RIDERSERIES RCM, Relay, Number of contacts: 4, CO contact AgNi,
GTIN (EAN)	4008190130909	Rated control voltage: 230 V AC, Continuous current: 6 A, Plug-in
Qty.	10 pc(s).	connection, Test button available: Yes
Type	RCM570220	Version
Order No.	8636230000	RIDERSERIES RCM, Relay, Number of contacts: 4, CO contact AgNi,
GTIN (EAN)	4032248305940	Rated control voltage: 220 V DC, Continuous current: 6 A, Plug-in
Qty.	10 pc(s).	connection, Test button available: Yes
Type	RCM570012	Version
Order No.	8054360000	RIDERSERIES RCM, Relay, Number of contacts: 4, CO contact AgNi,
GTIN (EAN)	4008190098322	Rated control voltage: 12 V DC, Continuous current: 6 A, Plug-in
Qty.	10 pc(s).	connection, Test button available: Yes
Type	RCM570006	Version
Order No.	8074650000	RIDERSERIES RCM, Relay, Number of contacts: 4, CO contact AgNi,
GTIN (EAN)	4008190103118	Rated control voltage: 6 V DC, Continuous current: 6 A, Plug-in
Qty.	10 pc(s).	connection, Test button available: Yes
Type	RCM570024	Version
Order No.	8690200000	RIDERSERIES RCM, Relay, Number of contacts: 4, CO contact AgNi,
GTIN (EAN)	4032248360833	Rated control voltage: 24 V DC, Continuous current: 6 A, Plug-in
Qty.	10 pc(s).	connection, Test button available: Yes
Type	RCM570615	Version
Order No.	1180800000	RIDERSERIES RCM, Relay, Number of contacts: 4, CO contact AgNi,
GTIN (EAN)	4008190113100	Rated control voltage: 115 V AC, Continuous current: 6 A, Plug-in
Qty.	10 pc(s).	connection, Test button available: Yes

RCM

General ordering data

Type	RCM580524	Version
Order No.	7940008171	RIDERSERIES RCM, Relay, Number of contacts: 4, CO contact with
GTIN (EAN)	4032248526390	test button AgNi 5µm Au, Rated control voltage: 24 V AC, Continuous
Qty.	10 pc(s).	current: 6 A, Plug-in connection, Test button available: Yes

Creation date January 1, 2022 2:37:59 PM CET

Catalogue status 17.12.2021 / We reserve the right to make technical changes.

SCM-I 4CO N

Weidmüller Interface GmbH & Co. KG
 Klingenbergstraße 26
 D-32758 Detmold
 Germany

www.weidmueller.com

Mating connector (fully pluggable)

Type	RCM270BB0	Version
Order No.	8957050000	RIDERSERIES RCM, Relay, Number of contacts: 2, CO contact with test
GTIN (EAN)	4032248755325	button AgNi, Rated control voltage: 110 V DC, Continuous current: 12
Qty.	10 pc(s).	A, Plug-in connection, Test button available: Yes
Type	RCM270R48	Version
Order No.	8689790000	RIDERSERIES RCM, Relay, Number of contacts: 2, CO contact with test
GTIN (EAN)	4032248360468	button AgNi, Rated control voltage: 48 V AC, Continuous current: 12
Qty.	10 pc(s).	A, Plug-in connection, Test button available: Yes
Type	RCM570125	Version
Order No.	7940007736	RIDERSERIES RCM, Relay, Number of contacts: 4, CO contact with test
GTIN (EAN)	9004839079863	button AgNi, Rated control voltage: 125 V DC, Continuous current: 6
Qty.	10 pc(s).	A, Plug-in connection, Test button available: Yes
Type	RCM580110	Version
Order No.	8829000000	RIDERSERIES RCM, Relay, Number of contacts: 4, CO contact with test
GTIN (EAN)	4032248532032	button AgNi 5µm Au, Rated control voltage: 110 V DC, Continuous
Qty.	10 pc(s).	current: 6 A, Plug-in connection, Test button available: Yes
Type	RCM270AE8	Version
Order No.	8957040000	RIDERSERIES RCM, Relay, Number of contacts: 2, CO contact with test
GTIN (EAN)	4032248755318	button AgNi, Rated control voltage: 48 V DC, Continuous current: 12
Qty.	10 pc(s).	A, Plug-in connection, Test button available: Yes
Type	RCM570560	Version
Order No.	1549770000	RIDERSERIES RCM, Relay, Number of contacts: 4, CO contact with test
GTIN (EAN)	4050118356090	button AgNi, Rated control voltage: 60 V AC, Continuous current: 6 A,
Qty.	10 pc(s).	Plug-in connection, Test button available: Yes

4 CO contacts / gold-plated contacts



- Individual relays within the RIDERSERIES RCM
- 4 CO contacts with hard gold plated contacts
 - Optional AC or DC coils
 - With test button

General ordering data

Type	RCM580024	Version
Order No.	8694460000	RIDERSERIES RCM, Relay, Number of contacts: 4, CO contact AgNi
GTIN (EAN)	4032248366163	gold-plated, Rated control voltage: 24 V DC, Continuous current: 6 A,
Qty.	10 pc(s).	Plug-in connection, Test button available: Yes
Type	RCM580615	Version
Order No.	8824860000	RIDERSERIES RCM, Relay, Number of contacts: 4, CO contact AgNi
GTIN (EAN)	4032248526352	gold-plated, Rated control voltage: 115 V AC, Continuous current: 6 A,
Qty.	10 pc(s).	Plug-in connection, Test button available: Yes
Type	RCM580730	Version
Order No.	7940007637	RIDERSERIES RCM, Relay, Number of contacts: 4, CO contact AgNi
GTIN (EAN)	4032248526345	gold-plated, Rated control voltage: 230 V AC, Continuous current: 6 A,
Qty.	10 pc(s).	Plug-in connection, Test button available: Yes

Creation date January 1, 2022 2:37:59 PM CET

Catalogue status 17.12.2021 / We reserve the right to make technical changes.

SCM-I 4CO N

Weidmüller Interface GmbH & Co. KG
 Klingenbergstraße 26
 D-32758 Detmold
 Germany

www.weidmueller.com

Mating connector (fully pluggable)

With test button



Individual relays within the RIDERSERIES RCM

- 2 CO contacts
- Optional AC or DC coils
- With test button

General ordering data

Type	RCM270110	Version
Order No.	8689900000	RIDERSERIES RCM, Relay, Number of contacts: 2, CO contact AgNi,
GTIN (EAN)	4032248360574	Rated control voltage: 110 V DC, Continuous current: 12 A, Plug-in connection, Test button available: Yes
Qty.	10 pc(s).	
Type	RCM270024	Version
Order No.	8689860000	RIDERSERIES RCM, Relay, Number of contacts: 2, CO contact AgNi,
GTIN (EAN)	4032248360536	Rated control voltage: 24 V DC, Continuous current: 12 A, Plug-in connection, Test button available: Yes
Qty.	10 pc(s).	
Type	RCM270548	Version
Order No.	8689780000	RIDERSERIES RCM, Relay, Number of contacts: 2, CO contact AgNi,
GTIN (EAN)	4032248360451	Rated control voltage: 48 V AC, Continuous current: 12 A, Plug-in connection, Test button available: Yes
Qty.	10 pc(s).	
Type	RCM270730	Version
Order No.	8689820000	RIDERSERIES RCM, Relay, Number of contacts: 2, CO contact AgNi,
GTIN (EAN)	4032248360499	Rated control voltage: 230 V AC, Continuous current: 12 A, Plug-in connection, Test button available: Yes
Qty.	10 pc(s).	
Type	RCM270524	Version
Order No.	8689760000	RIDERSERIES RCM, Relay, Number of contacts: 2, CO contact AgNi,
GTIN (EAN)	4032248360437	Rated control voltage: 24 V AC, Continuous current: 12 A, Plug-in connection, Test button available: Yes
Qty.	10 pc(s).	
Type	RCM270512	Version
Order No.	8689740000	RIDERSERIES RCM, Relay, Number of contacts: 2, CO contact AgNi,
GTIN (EAN)	4032248360413	Rated control voltage: 12 V AC, Continuous current: 12 A, Plug-in connection, Test button available: Yes
Qty.	10 pc(s).	
Type	RCM270012	Version
Order No.	8689840000	RIDERSERIES RCM, Relay, Number of contacts: 2, CO contact AgNi,
GTIN (EAN)	4032248360512	Rated control voltage: 12 V DC, Continuous current: 12 A, Plug-in connection, Test button available: Yes
Qty.	10 pc(s).	
Type	RCM270048	Version
Order No.	8689880000	RIDERSERIES RCM, Relay, Number of contacts: 2, CO contact AgNi,
GTIN (EAN)	4032248360550	Rated control voltage: 48 V DC, Continuous current: 12 A, Plug-in connection, Test button available: Yes
Qty.	10 pc(s).	
Type	RCM270615	Version
Order No.	8689800000	RIDERSERIES RCM, Relay, Number of contacts: 2, CO contact AgNi,
GTIN (EAN)	4032248360475	Rated control voltage: 115 V AC, Continuous current: 12 A, Plug-in connection, Test button available: Yes
Qty.	10 pc(s).	

SCM-I 4CO N

Weidmüller Interface GmbH & Co. KG
 Klingenbergstraße 26
 D-32758 Detmold
 Germany

www.weidmueller.com

Mating connector (fully pluggable)

With LED and test button



Individual relays within the RIDERSERIES RCM

- 4 CO contacts
- Optional AC or DC coils
- With test button and integrated status LED

General ordering data

Type	RCM570R24	Version
Order No.	8690120000	RIDERSERIES RCM, Relay, Number of contacts: 4, CO contact AgNi,
GTIN (EAN)	4032248360789	Rated control voltage: 24 V AC, Continuous current: 6 A, Plug-in
Qty.	10 pc(s).	connection, Test button available: Yes
Type	RCM570L48	Version
Order No.	8690230000	RIDERSERIES RCM, Relay, Number of contacts: 4, CO contact AgNi,
GTIN (EAN)	4032248360857	Rated control voltage: 48 V DC, Continuous current: 6 A, Plug-in
Qty.	10 pc(s).	connection, Test button available: Yes
Type	RCM570R48	Version
Order No.	8690130000	RIDERSERIES RCM, Relay, Number of contacts: 4, CO contact AgNi,
GTIN (EAN)	4032248360796	Rated control voltage: 48 V AC, Continuous current: 6 A, Plug-in
Qty.	10 pc(s).	connection, Test button available: Yes
Type	RCM570L12	Version
Order No.	8690180000	RIDERSERIES RCM, Relay, Number of contacts: 4, CO contact AgNi,
GTIN (EAN)	4032248360826	Rated control voltage: 12 V DC, Continuous current: 6 A, Plug-in
Qty.	10 pc(s).	connection, Test button available: Yes
Type	RCM570R12	Version
Order No.	8690100000	RIDERSERIES RCM, Relay, Number of contacts: 4, CO contact AgNi,
GTIN (EAN)	4032248360765	Rated control voltage: 12 V AC, Continuous current: 6 A, Plug-in
Qty.	10 pc(s).	connection, Test button available: Yes
Type	RCM570M10	Version
Order No.	8690240000	RIDERSERIES RCM, Relay, Number of contacts: 4, CO contact AgNi,
GTIN (EAN)	4032248360864	Rated control voltage: 110 V DC, Continuous current: 6 A, Plug-in
Qty.	10 pc(s).	connection, Test button available: Yes
Type	RCM570L24	Version
Order No.	8690220000	RIDERSERIES RCM, Relay, Number of contacts: 4, CO contact AgNi,
GTIN (EAN)	4032248360840	Rated control voltage: 24 V DC, Continuous current: 6 A, Plug-in
Qty.	10 pc(s).	connection, Test button available: Yes
Type	RCM570S15	Version
Order No.	8690150000	RIDERSERIES RCM, Relay, Number of contacts: 4, CO contact AgNi,
GTIN (EAN)	4032248360802	Rated control voltage: 115 V AC, Continuous current: 6 A, Plug-in
Qty.	10 pc(s).	connection, Test button available: Yes
Type	RCM570T30	Version
Order No.	8690160000	RIDERSERIES RCM, Relay, Number of contacts: 4, CO contact AgNi,
GTIN (EAN)	4032248360819	Rated control voltage: 230 V AC, Continuous current: 6 A, Plug-in
Qty.	10 pc(s).	connection, Test button available: Yes

SCM-I 4CO N

Weidmüller Interface GmbH & Co. KG
 Klingenbergstraße 26
 D-32758 Detmold
 Germany

www.weidmueller.com

Mating connector (fully pluggable)

With LED, test button and free-wheel diode



Individual relays within the RIDERSERIES RCM

- 4 CO contacts
- DC coils
- With integrated status LED, free-wheeling diode and test button

General ordering data

Type	RCM570BB0	Version
Order No.	8957190000	RIDERSERIES RCM, Relay, Number of contacts: 4, CO contact AgNi,
GTIN (EAN)	4032248755462	Rated control voltage: 110 V DC, Continuous current: 6 A, Plug-in
Qty.	10 pc(s).	connection, Test button available: Yes
Type	RCM570AC4	Version
Order No.	8957170000	RIDERSERIES RCM, Relay, Number of contacts: 4, CO contact AgNi,
GTIN (EAN)	4032248755448	Rated control voltage: 24 V DC, Continuous current: 6 A, Plug-in
Qty.	10 pc(s).	connection, Test button available: Yes
Type	RCM570AB2	Version
Order No.	8957160000	RIDERSERIES RCM, Relay, Number of contacts: 4, CO contact AgNi,
GTIN (EAN)	4032248755431	Rated control voltage: 12 V DC, Continuous current: 6 A, Plug-in
Qty.	10 pc(s).	connection, Test button available: Yes
Type	RCM570AE8	Version
Order No.	8957180000	RIDERSERIES RCM, Relay, Number of contacts: 4, CO contact AgNi,
GTIN (EAN)	4032248755455	Rated control voltage: 48 V DC, Continuous current: 6 A, Plug-in
Qty.	10 pc(s).	connection, Test button available: Yes

SCM-I 4CO N

Weidmüller Interface GmbH & Co. KG
Klingenbergstraße 26
D-32758 Detmold
Germany

www.weidmueller.com

Accessories

Crosshead screwdriver Pozidriv



VDE insulated crosshead screwdriver type Pozidriv SDIK PZ DIN 7438, ISO 8764/2-PZ, output to ISO 8764-PZ, SoftFinish grip

General ordering data

Type	SDIK PZ1 X 80	Version
Order No.	2749920000	Screwdriver, Blade length: 80 mm
GTIN (EAN)	4050118897227	
Qty.	1 pc(s).	

Protection module



Pluggable protective modules for the RIDERSERIES RCI / RCM relay sockets, with optional protective functions.

- Optional with free-wheeling diode, protective varistor, load resistor or RC filter

General ordering data

Type	RIM-I 3 230VAC RC	Version
Order No.	1172210000	RIDERSERIES, RC filter, Rated control voltage: 230 V UC, Plug-in connection
GTIN (EAN)	4032248964420	
Qty.	10 pc(s).	
Type	RIM-I 3 6/60VAC RC	Version
Order No.	8869770000	RIDERSERIES, RC filter, Rated control voltage: 6...60 V UC, Plug-in connection
GTIN (EAN)	4032248606320	
Qty.	10 pc(s).	
Type	RIM-I 3 110/230VAC RC	Version
Order No.	8869790000	RIDERSERIES, RC filter, Rated control voltage: 110...230 V UC, Plug-in connection
GTIN (EAN)	4032248606337	
Qty.	10 pc(s).	
Type	RIM-I 1 6/230V	Version
Order No.	8869580000	RIDERSERIES, Free-wheeling diode, Rated control voltage: 6...230 V DC, Plug-in connection
GTIN (EAN)	4032248614523	
Qty.	10 pc(s).	
Type	RIM-I 1 R 110/230V	Version
Order No.	8870830000	RIDERSERIES, Load, Rated control voltage: 110...230 V UC, Plug-in connection
GTIN (EAN)	4032248631674	
Qty.	10 pc(s).	

SCM-I 4CO N

Weidmüller Interface GmbH & Co. KG
 Klingenbergstraße 26
 D-32758 Detmold
 Germany

www.weidmueller.com

Accessories

Retaining clips

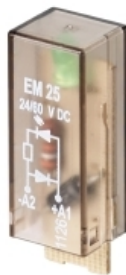


Retaining clip for RIDERSERIES RCM relays
 • Metal and plastic retaining clip

General ordering data

Type	SCM-I CLIP M	Version
Order No.	8869450000	RIDERSERIES RCM, Retaining clip
GTIN (EAN)	4032248614301	
Qty.	10 pc(s).	
Type	SCM-I CLIP N	Version
Order No.	8875620000	RIDERSERIES RCM, Retaining clip
GTIN (EAN)	4032248608577	
Qty.	10 pc(s).	

LED / Free-wheel diode



Pluggable protective modules for the RIDERSERIES RCI / RCM relay sockets, with optional protective functions.

- Optional with green or red LED
- With free-wheeling diode
- For DC supply voltage

General ordering data

Type	RIM-I 2 24/60VDC	Version
Order No.	8869670000	RIDERSERIES, LED module with freewheel diode, Rated control
GTIN (EAN)	4032248614608	voltage: 24...60 V DC, Plug-in connection
Qty.	10 pc(s).	
Type	RIM-I 2 110/230VDC	Version
Order No.	8869690000	RIDERSERIES, LED module with freewheel diode, Rated control
GTIN (EAN)	4032248614622	voltage: 110...230 V DC, Plug-in connection
Qty.	10 pc(s).	
Type	RIM-I 2 6/24VDC GN	Version
Order No.	8869600000	RIDERSERIES, LED module with freewheel diode, Rated control
GTIN (EAN)	4032248614547	voltage: 6...24 V DC, Plug-in connection
Qty.	10 pc(s).	
Type	RIM-I 2 24/60VDC GN	Version
Order No.	8869680000	RIDERSERIES, LED module with freewheel diode, Rated control
GTIN (EAN)	4032248614615	voltage: 24...60 V DC, Plug-in connection
Qty.	10 pc(s).	

SCM-I 4CO N

Weidmüller Interface GmbH & Co. KG
 Klingenbergstraße 26
 D-32758 Detmold
 Germany

www.weidmueller.com

Accessories

Type	RIM-I 2 110/230VDC GN	Version
Order No.	8869700000	RIDERSERIES, LED module with freewheel diode, Rated control
GTIN (EAN)	4032248614639	voltage: 110...230 V DC, Plug-in connection
Qty.	10 pc(s).	
Type	RIM-I 2 6/24VDC	Version
Order No.	8869590000	RIDERSERIES, LED module with freewheel diode, Rated control
GTIN (EAN)	4032248614530	voltage: 6...24 V DC, Plug-in connection
Qty.	10 pc(s).	

Crosshead screwdriver, Pozidrive



VDE insulated screwdriver sets, for working on live parts up to 1000 V AC and 1500 V DC, DIN EN 60900. IEC 900. Each piece is "GS" safety tested. Blade made from fully hardened, high-alloy chromium-vanadium-molybdenum steel, gun-metal finish.

General ordering data

Type	SDIK SLIM PZ1 X 80	Version
Order No.	2749670000	Mounting tool, Blade length: 80 mm
GTIN (EAN)	4050118896411	
Qty.	1 pc(s).	

Protective varistor



Pluggable protective modules for the RIDERSERIES RCI / RCM relay sockets, with optional protective functions.

- With protective varistor
- For UC supply voltage

General ordering data

Type	RIM-I 4 110VUC VAR	Version
Order No.	8869730000	RIDERSERIES, Protective varistor, Rated control voltage: 110 V UC,
GTIN (EAN)	4032248606351	Plug-in connection
Qty.	10 pc(s).	
Type	RIM-I 4 230VUC VAR	Version
Order No.	8869750000	RIDERSERIES, Protective varistor, Rated control voltage: 230 V UC,
GTIN (EAN)	4032248606368	Plug-in connection
Qty.	10 pc(s).	

Data sheet

SCM-I 4CO N

Weidmüller Interface GmbH & Co. KG
 Klingenbergstraße 26
 D-32758 Detmold
 Germany

www.weidmueller.com

Accessories

Type	RIM-I 4 24VUC VAR	Version
Order No.	8869710000	RIDERSERIES, Protective varistor, Rated control voltage: 24 V UC, Plug-
GTIN (EAN)	4032248606344	in connection
Qty.	10 pc(s).	

Blank



ESG is the tried-and-tested marker in MultiCard format for use on many well-known electrical devices. The result is high-quality device marking with a high-contrast appearance.

Various types are available for devices from manufacturers like Siemens, ABB, Beckhoff etc.

Advantages at a glance:

- Tags for universal usage, self-adhesive or clip-on tags, depending on type
- For aligned equipment, e.g. circuit breakers, we supply ESG markers for clipping onto tag rails
- Individual laser-quality printing according to specifications

For custom printing: Please send us a file of our labeling software M-Print PRO or M-Print PRO Online (without installation) for your labeling specifications.

General ordering data

Type	ESG 9/26 SCM-I MC NE WS	Version
Order No.	2558330000	ESG, Device markers x 26 mm, PA 66, Colour: white
GTIN (EAN)	4050118569049	
Qty.	80 pc(s).	

Cross-connection for socket with screw connection

Cross-connection for the sockets in the D-SERIES DRM.



General ordering data

Type	SCM-I QV S	Version
Order No.	1132080000	RIDERSERIES RCM, Cross-connector
GTIN (EAN)	4032248912193	
Qty.	10 pc(s).	

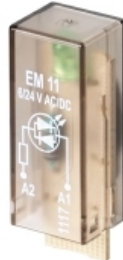
SCM-I 4CO N

Weidmüller Interface GmbH & Co. KG
 Klingenbergstraße 26
 D-32758 Detmold
 Germany

www.weidmueller.com

Accessories

LED



Pluggable protective modules for the RIDERSERIES RCI / RCM relay sockets, with optional protective functions.

- Optional with green or red LED
- For UC supply voltage

General ordering data

Type	RIM-I 3 6/24VUC	Version
Order No.	8869630000	RIDERSERIES, LED module, Rated control voltage: 6...24 V UC, Plug-in connection
GTIN (EAN)	4032248614578	
Qty.	10 pc(s).	
Type	RIM-I 3 24/60VUC GN	Version
Order No.	8869620000	RIDERSERIES, LED module, Rated control voltage: 24...60 V UC, Plug-in connection
GTIN (EAN)	4032248614561	
Qty.	10 pc(s).	
Type	RIM-I 3 6/24VUC GN	Version
Order No.	8869640000	RIDERSERIES, LED module, Rated control voltage: 6...24 V UC, Plug-in connection
GTIN (EAN)	4032248614585	
Qty.	10 pc(s).	
Type	RIM-I 3 110/230VUC	Version
Order No.	8869650000	RIDERSERIES, LED module, Rated control voltage: 110...230 V UC, Plug-in connection
GTIN (EAN)	4032248614592	
Qty.	10 pc(s).	
Type	RIM-I 3 110/230VUC GN	Version
Order No.	8869660000	RIDERSERIES, LED module, Rated control voltage: 110...230 V UC, Plug-in connection
GTIN (EAN)	4032248614721	
Qty.	10 pc(s).	
Type	RIM-I 3 24/60VUC	Version
Order No.	8869610000	RIDERSERIES, LED module, Rated control voltage: 24...60 V UC, Plug-in connection
GTIN (EAN)	4032248614554	
Qty.	10 pc(s).	

Data sheet**SCM-I 4CO N**

Weidmüller Interface GmbH & Co. KG
Klingenbergstraße 26
D-32758 Detmold
Germany

www.weidmueller.com

Accessories**Crosshead screwdriver Pozidriv**

Crosshead screwdriver, Pozidriv, SDK PZ DIN 5262, ISO 8764/2-PZ, output to ISO 8764/1-PZ, ChromTop tip, SoftFinish grip

General ordering data

Type	SDK PZ1 X 80	Version
Order No.	2749440000	Screwdriver, Blade length: 80 mm
GTIN (EAN)	4050118895667	
Qty.	1 pc(s).	