

SCM 4CO ECO**Weidmüller Interface GmbH & Co. KG**

Klingenbergstraße 26

D-32758 Detmold

Germany

www.weidmueller.com

Product image

Relay sockets for the D-SERIES DRM relays

- 2 and 4 CO contacts
- Screw and PUSH IN connection
- Standard and low heights

General ordering data

Version	D-SERIES DRM, Relay socket, Number of contacts: 4, CO contact, Continuous current: 6 A, Screw connection
Order No.	7760056264
Type	SCM 4CO ECO
GTIN (EAN)	6944 169662973
Qty.	10 pc(s).

Creation date January 5, 2022 12:47:26 PM CET

Catalogue status 17.12.2021 / We reserve the right to make technical changes.

SCM 4CO ECO

Weidmüller Interface GmbH & Co. KG

Klingenbergstraße 26

D-32758 Detmold

Germany

www.weidmueller.com

Technical data

Dimensions and weights

Depth	61 mm	Depth (inches)	2.402 inch
Height	79.9 mm	Height (inches)	3.146 inch
Width	27.2 mm	Width (inches)	1.071 inch
Net weight	67.6 g		

Temperatures

Storage temperature	-40 °C...70 °C	Operating temperature	-40 °C...70 °C
Humidity	35...85 % rel. humidity, no condensation		

Environmental Product Compliance

REACH SVHC	Lead 7439-92-1
------------	----------------

Rated data UL

Certificate No. (cURus)	E312083
-------------------------	---------

Load side

Rated switching voltage	250 V AC	Continuous current	6 A
Max. switching voltage, AC	300 V	Contact type	4 CO contact

General data

Rail	TS 35		
Colour	black		
UL94 flammability rating component	Component	Retaining clip	
	UL94 flammability rating	HB	
	Component	Mounting foot	
	UL94 flammability rating	HB	
	Component	Housing	
	UL94 flammability rating	V-2	

Insulation coordination

Rated voltage	250 V	Pollution severity	2
Surge voltage category	III	Insulating material group	C
Clearance and creepage distances for control side - load side	≥ 5.5 mm	Dielectric strength for control side - load side	4 kV _{eff} / 1 min
Dielectric strength of neighbouring contacts	4 kV _{eff} / 1 min	Dielectric strength of open contact	1 kV _{eff} / 1 min
Impulse withstand voltage	4.8 kV (1.2/50 μs)	Protection degree	IP20

Further details of approvals / standards

Standards	EN 60664-1:2007, EN 61000-6-2:2005, EN 61000-6-4:2007 + A1:2011, UL 508	Certificate No. (cURus)	E312083
-----------	--	-------------------------	---------

SCM 4CO ECO

Weidmüller Interface GmbH & Co. KG

Klingenbergstraße 26

D-32758 Detmold

Germany

www.weidmueller.com

Technical data

Connection data

Wire connection method	Screw connection	Stripping length, rated connection	7 mm
Tightening torque, min.	0.5 Nm	Tightening torque, max.	0.8 Nm
Clamping range, min.	0.5 mm ²	Clamping range, max.	2.5 mm ²
Wire cross-section, solid, min.	0.5 mm ²	Wire cross-section, solid, max.	2.5 mm ²
Wire connection cross section, finely stranded, min.	0.5 mm ²	Wire connection cross section, finely stranded, max.	2.5 mm ²
Wire connection cross-section, finely stranded with wire-end ferrules DIN 46228/4, min.	0.5 mm ²	Wire connection cross-section, finely stranded with wire-end ferrules DIN 46228/4, max.	2.5 mm ²
Conductor cross-section, flexible, AEH (DIN 46228-1), min.	0.5 mm ²	Conductor cross-section, flexible, AEH (DIN 46228-1), max.	2.5 mm ²
Wire connection cross section, finely stranded, two clampable wires, min.	0.5 mm ²	Wire cross-section, finely stranded, two clampable wires, max.	1 mm ²
Blade size	size PH1		

Classifications

ETIM 6.0	EC001456	ETIM 7.0	EC001456
ETIM 8.0	EC001456	ECLASS 9.0	27-37-16-03
ECLASS 9.1	27-37-16-03	ECLASS 10.0	27-37-16-03
ECLASS 11.0	27-37-16-03		

Approvals

Approvals



ROHS	Conform
UL File Number Search	E312083

Downloads

Approval/Certificate/Document of Conformity	EU Konformitätserklärung / EU Declaration of Conformity
Engineering Data	CAD data – STEP
Engineering Data	EPLAN, WSCAD
Catalogues	Catalogues in PDF-format
Brochures	

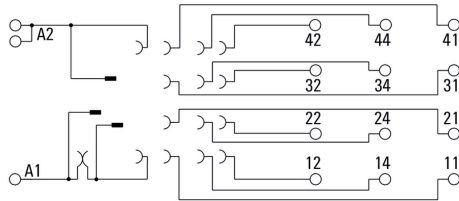
SCM 4CO ECO

Weidmüller Interface GmbH & Co. KG
 Klingenbergstraße 26
 D-32758 Detmold
 Germany

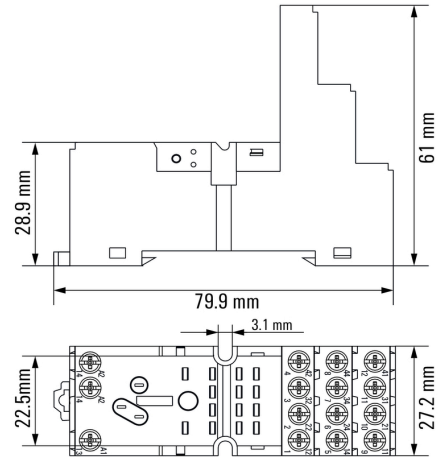
www.weidmueller.com

Drawings

Wiring diagram



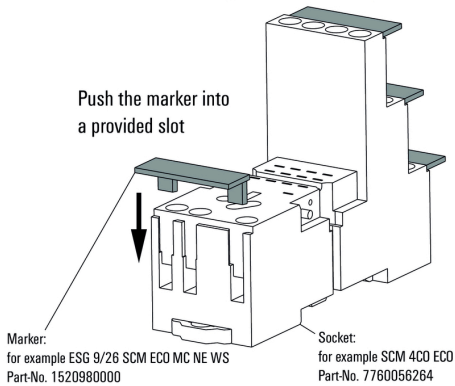
Dimensional drawing



Example of use

How to install marker

on screw connection sockets (four slots available)



How to install marker

on screw connection sockets (four slots available)

SCM 4CO ECO

Weidmüller Interface GmbH & Co. KG

Klingenbergstraße 26

D-32758 Detmold

Germany

www.weidmueller.com

Mating connector (fully pluggable)

with LED



Individual relays within the D-SERIES DRM

- 4 CO contact
- AC coils
- With integrated status LED

General ordering data

Type	DRM570048L	Version
Order No.	7760056089	D-SERIES DRM, Relay, Number of contacts: 4, CO contact, AgNi flash
GTIN (EAN)	4032248855759	gold-plated, Rated control voltage: 48 V DC, Continuous current: 5 A,
Qty.	20 pc(s).	Plug-in connection
Type	DRM570524L	Version
Order No.	7760056092	D-SERIES DRM, Relay, Number of contacts: 4, CO contact, AgNi flash
GTIN (EAN)	4032248855728	gold-plated, Rated control voltage: 24 V AC, Continuous current: 5 A,
Qty.	20 pc(s).	Plug-in connection
Type	DRM570110L	Version
Order No.	7760056090	D-SERIES DRM, Relay, Number of contacts: 4, CO contact, AgNi flash
GTIN (EAN)	4032248855742	gold-plated, Rated control voltage: 110 V DC, Continuous current: 5 A,
Qty.	20 pc(s).	Plug-in connection
Type	DRM570615L	Version
Order No.	7760056094	D-SERIES DRM, Relay, Number of contacts: 4, CO contact, AgNi flash
GTIN (EAN)	4032248855704	gold-plated, Rated control voltage: 115 V AC, Continuous current: 5 A,
Qty.	20 pc(s).	Plug-in connection
Type	DRM570024L	Version
Order No.	7760056088	D-SERIES DRM, Relay, Number of contacts: 4, CO contact, AgNi flash
GTIN (EAN)	4032248855766	gold-plated, Rated control voltage: 24 V DC, Continuous current: 5 A,
Qty.	20 pc(s).	Plug-in connection
Type	DRM570220L	Version
Order No.	7760056091	D-SERIES DRM, Relay, Number of contacts: 4, CO contact, AgNi flash
GTIN (EAN)	4032248855735	gold-plated, Rated control voltage: 220 V DC, Continuous current: 5 A,
Qty.	20 pc(s).	Plug-in connection
Type	DRM570548L	Version
Order No.	7760056093	D-SERIES DRM, Relay, Number of contacts: 4, CO contact, AgNi flash
GTIN (EAN)	4032248855711	gold-plated, Rated control voltage: 48 V AC, Continuous current: 5 A,
Qty.	20 pc(s).	Plug-in connection
Type	DRM570012L	Version
Order No.	7760056087	D-SERIES DRM, Relay, Number of contacts: 4, CO contact, AgNi flash
GTIN (EAN)	4032248855773	gold-plated, Rated control voltage: 12 V DC, Continuous current: 5 A,
Qty.	20 pc(s).	Plug-in connection
Type	DRM570730L	Version
Order No.	7760056095	D-SERIES DRM, Relay, Number of contacts: 4, CO contact, AgNi flash
GTIN (EAN)	4032248855698	gold-plated, Rated control voltage: 230 V AC, Continuous current: 5 A,
Qty.	20 pc(s).	Plug-in connection

SCM 4CO ECO

Weidmüller Interface GmbH & Co. KG

Klingenbergstraße 26

D-32758 Detmold

Germany

www.weidmueller.com

Mating connector (fully pluggable)

with LED and test button



Individual relays within the D-SERIES DRM

- 4 CO contacts
- AC coils
- With integrated status LED and test button

General ordering data

Type	DRM570524LT	Version
Order No.	7760056101	D-SERIES DRM, Relay, Number of contacts: 4, CO contact, AgNi flash
GTIN (EAN)	4032248855636	gold-plated, Rated control voltage: 24 V AC, Continuous current: 5 A,
Qty.	20 pc(s).	Plug-in connection
Type	DRM570615LT	Version
Order No.	7760056103	D-SERIES DRM, Relay, Number of contacts: 4, CO contact, AgNi flash
GTIN (EAN)	4032248855612	gold-plated, Rated control voltage: 115 V AC, Continuous current: 5 A,
Qty.	20 pc(s).	Plug-in connection
Type	DRM570548LT	Version
Order No.	7760056102	D-SERIES DRM, Relay, Number of contacts: 4, CO contact, AgNi flash
GTIN (EAN)	4032248855629	gold-plated, Rated control voltage: 48 V AC, Continuous current: 5 A,
Qty.	20 pc(s).	Plug-in connection
Type	DRM570048LT	Version
Order No.	7760056098	D-SERIES DRM, Relay, Number of contacts: 4, CO contact, AgNi flash
GTIN (EAN)	4032248855667	gold-plated, Rated control voltage: 48 V DC, Continuous current: 5 A,
Qty.	20 pc(s).	Plug-in connection
Type	DRM570024LT	Version
Order No.	7760056097	D-SERIES DRM, Relay, Number of contacts: 4, CO contact, AgNi flash
GTIN (EAN)	4032248855674	gold-plated, Rated control voltage: 24 V DC, Continuous current: 5 A,
Qty.	20 pc(s).	Plug-in connection
Type	DRM570220LT	Version
Order No.	7760056100	D-SERIES DRM, Relay, Number of contacts: 4, CO contact, AgNi flash
GTIN (EAN)	4032248855643	gold-plated, Rated control voltage: 220 V DC, Continuous current: 5 A,
Qty.	20 pc(s).	Plug-in connection
Type	DRM570730LT	Version
Order No.	7760056104	D-SERIES DRM, Relay, Number of contacts: 4, CO contact, AgNi flash
GTIN (EAN)	4032248855605	gold-plated, Rated control voltage: 230 V AC, Continuous current: 5 A,
Qty.	20 pc(s).	Plug-in connection
Type	DRM570012LT	Version
Order No.	7760056096	D-SERIES DRM, Relay, Number of contacts: 4, CO contact, AgNi flash
GTIN (EAN)	4032248855681	gold-plated, Rated control voltage: 12 V DC, Continuous current: 5 A,
Qty.	20 pc(s).	Plug-in connection
Type	DRM570110LT	Version
Order No.	7760056099	D-SERIES DRM, Relay, Number of contacts: 4, CO contact, AgNi flash
GTIN (EAN)	4032248855650	gold-plated, Rated control voltage: 110 V DC, Continuous current: 5 A,
Qty.	20 pc(s).	Plug-in connection

SCM 4CO ECO

Weidmüller Interface GmbH & Co. KG

Klingenbergstraße 26

D-32758 Detmold

Germany

www.weidmueller.com

Mating connector (fully pluggable)

with LED and test button



Individual relays within the D-SERIES DRM

- 2 CO contacts
- AC coils
- With integrated status LED and test button

General ordering data

Type	DRM270048LT	Version
Order No.	7760056070	D-SERIES DRM, Relay, Number of contacts: 2, CO contact, AgNi flash
GTIN (EAN)	4032248855858	gold-plated, Rated control voltage: 48 V DC, Continuous current: 10 A,
Qty.	20 pc(s).	Plug-in connection
Type	DRM270524LT	Version
Order No.	7760056073	D-SERIES DRM, Relay, Number of contacts: 2, CO contact, AgNi flash
GTIN (EAN)	4032248855827	gold-plated, Rated control voltage: 24 V AC, Continuous current: 10 A,
Qty.	20 pc(s).	Plug-in connection
Type	DRM270110LT	Version
Order No.	7760056071	D-SERIES DRM, Relay, Number of contacts: 2, CO contact, AgNi flash
GTIN (EAN)	4032248855841	gold-plated, Rated control voltage: 110 V DC, Continuous current: 10
Qty.	20 pc(s).	A, Plug-in connection
Type	DRM270012LT	Version
Order No.	7760056068	D-SERIES DRM, Relay, Number of contacts: 2, CO contact, AgNi flash
GTIN (EAN)	4032248855872	gold-plated, Rated control voltage: 12 V DC, Continuous current: 10 A,
Qty.	20 pc(s).	Plug-in connection
Type	DRM270220LT	Version
Order No.	7760056072	D-SERIES DRM, Relay, Number of contacts: 2, CO contact, AgNi flash
GTIN (EAN)	4032248855834	gold-plated, Rated control voltage: 220 V DC, Continuous current: 10
Qty.	20 pc(s).	A, Plug-in connection
Type	DRM270024LT	Version
Order No.	7760056069	D-SERIES DRM, Relay, Number of contacts: 2, CO contact, AgNi flash
GTIN (EAN)	4032248855865	gold-plated, Rated control voltage: 24 V DC, Continuous current: 10 A,
Qty.	20 pc(s).	Plug-in connection
Type	DRM270615LT	Version
Order No.	7760056075	D-SERIES DRM, Relay, Number of contacts: 2, CO contact, AgNi flash
GTIN (EAN)	4032248855803	gold-plated, Rated control voltage: 115 V AC, Continuous current: 10
Qty.	20 pc(s).	A, Plug-in connection
Type	DRM270548LT	Version
Order No.	7760056074	D-SERIES DRM, Relay, Number of contacts: 2, CO contact, AgNi flash
GTIN (EAN)	4032248855810	gold-plated, Rated control voltage: 48 V AC, Continuous current: 10 A,
Qty.	20 pc(s).	Plug-in connection
Type	DRM270730LT	Version
Order No.	7760056076	D-SERIES DRM, Relay, Number of contacts: 2, CO contact, AgNi flash
GTIN (EAN)	4032248855797	gold-plated, Rated control voltage: 230 V AC, Continuous current: 10
Qty.	20 pc(s).	A, Plug-in connection

SCM 4CO ECO

Weidmüller Interface GmbH & Co. KG
 Klingenbergstraße 26
 D-32758 Detmold
 Germany

www.weidmueller.com

Mating connector (fully pluggable)
with LED and test button


- Individual relays within the D-SERIES DRM
- 4 CO contacts
 - AC coils
 - With integrated status LED and test button

General ordering data

Type	DRM570730LT AU	Version
Order No.	7760056190	D-SERIES DRM, Relay, Number of contacts: 4, CO contact, AgNi gold-plated, Rated control voltage: 230 V AC, Continuous current: 5 A, Plug-in connection
GTIN (EAN)	4032248922291	
Qty.	20 pc(s).	
Type	DRM570220LT AU	Version
Order No.	7760056287	D-SERIES DRM, Relay, Number of contacts: 4, CO contact AgNi gold-plated, Rated control voltage: 220 V DC, Continuous current: 5 A, Plug-in connection, Test button available: Yes
GTIN (EAN)	6944169722516	
Qty.	20 pc(s).	
Type	DRM570024LT AU	Version
Order No.	7760056189	D-SERIES DRM, Relay, Number of contacts: 4, CO contact, AgNi gold-plated, Rated control voltage: 24 V DC, Continuous current: 5 A, Plug-in connection
GTIN (EAN)	4032248922284	
Qty.	20 pc(s).	

with LED and free-wheel diode


- Individual relays within the D-SERIES DRM
- 4 CO contacts
 - DC coils
 - With integrated status LED and free-wheeling diode

General ordering data

Type	DRM570024LD	Version
Order No.	7760056123	D-SERIES DRM, Relay, Number of contacts: 4, CO contact, AgNi flash gold-plated, Rated control voltage: 24 V DC, Continuous current: 5 A, Plug-in connection
GTIN (EAN)	4032248855551	
Qty.	20 pc(s).	
Type	DRM570024LD	Version
Order No.	7760056105	D-SERIES DRM, Relay, Number of contacts: 4, CO contact, AgNi flash gold-plated, Rated control voltage: 24 V DC, Continuous current: 5 A, Plug-in connection
GTIN (EAN)	4032248855599	
Qty.	20 pc(s).	

SCM 4CO ECO

Weidmüller Interface GmbH & Co. KG

Klingenbergstraße 26

D-32758 Detmold

Germany

www.weidmueller.com

Mating connector (fully pluggable)

standard relay



Individual relays within the D-SERIES DRM

- 4 CO contacts
- Optional AC or DC coils

General ordering data

Type	DRM570110	Version
Order No.	7760056081	D-SERIES DRM, Relay, Number of contacts: 4, CO contact, AgNi flash
GTIN (EAN)	4032248855131	gold-plated, Rated control voltage: 110 V DC, Continuous current: 5 A,
Qty.	20 pc(s).	Plug-in connection
Type	DRM570024	Version
Order No.	7760056079	D-SERIES DRM, Relay, Number of contacts: 4, CO contact, AgNi flash
GTIN (EAN)	4032248855124	gold-plated, Rated control voltage: 24 V DC, Continuous current: 5 A,
Qty.	20 pc(s).	Plug-in connection
Type	DRM570548	Version
Order No.	7760056084	D-SERIES DRM, Relay, Number of contacts: 4, CO contact, AgNi flash
GTIN (EAN)	4032248855193	gold-plated, Rated control voltage: 48 V AC, Continuous current: 5 A,
Qty.	20 pc(s).	Plug-in connection
Type	DRM570615	Version
Order No.	7760056085	D-SERIES DRM, Relay, Number of contacts: 4, CO contact, AgNi flash
GTIN (EAN)	4032248855230	gold-plated, Rated control voltage: 115 V AC, Continuous current: 5 A,
Qty.	20 pc(s).	Plug-in connection
Type	DRM570220	Version
Order No.	7760056082	D-SERIES DRM, Relay, Number of contacts: 4, CO contact, AgNi flash
GTIN (EAN)	4032248855162	gold-plated, Rated control voltage: 220 V DC, Continuous current: 5 A,
Qty.	20 pc(s).	Plug-in connection
Type	DRM570048	Version
Order No.	7760056080	D-SERIES DRM, Relay, Number of contacts: 4, CO contact, AgNi flash
GTIN (EAN)	4032248855148	gold-plated, Rated control voltage: 48 V DC, Continuous current: 5 A,
Qty.	20 pc(s).	Plug-in connection
Type	DRM570012	Version
Order No.	7760056078	D-SERIES DRM, Relay, Number of contacts: 4, CO contact, AgNi flash
GTIN (EAN)	4032248855117	gold-plated, Rated control voltage: 12 V DC, Continuous current: 5 A,
Qty.	20 pc(s).	Plug-in connection
Type	DRM570524	Version
Order No.	7760056083	D-SERIES DRM, Relay, Number of contacts: 4, CO contact, AgNi flash
GTIN (EAN)	4032248855186	gold-plated, Rated control voltage: 24 V AC, Continuous current: 5 A,
Qty.	20 pc(s).	Plug-in connection
Type	DRM570730	Version
Order No.	7760056086	D-SERIES DRM, Relay, Number of contacts: 4, CO contact, AgNi flash
GTIN (EAN)	4032248855254	gold-plated, Rated control voltage: 230 V AC, Continuous current: 5 A,
Qty.	20 pc(s).	Plug-in connection

SCM 4CO ECO

Weidmüller Interface GmbH & Co. KG
 Klingenbergstraße 26
 D-32758 Detmold
 Germany

www.weidmueller.com

Mating connector (fully pluggable)

with LED



- Individual relays within the D-SERIES DRM
- 4 CO contact
 - AC coils
 - With integrated status LED

General ordering data

Type	DRM570024L AU	Version
Order No.	7760056187	D-SERIES DRM, Relay, Number of contacts: 4, CO contact, AgNi gold-plated, Rated control voltage: 24 V DC, Continuous current: 5 A, Plug-in connection
GTIN (EAN)	4032248922260	
Qty.	20 pc(s).	
Type	DRM570730L AU	Version
Order No.	7760056188	D-SERIES DRM, Relay, Number of contacts: 4, CO contact, AgNi gold-plated, Rated control voltage: 230 V AC, Continuous current: 5 A, Plug-in connection
GTIN (EAN)	4032248922277	
Qty.	20 pc(s).	

standard relay



- Individual relays within the D-SERIES DRM
- 2 CO contacts
 - Optional AC or DC coils

General ordering data

Type	DRM270615	Version
Order No.	7760056057	D-SERIES DRM, Relay, Number of contacts: 2, CO contact, AgNi flash gold-plated, Rated control voltage: 115 V AC, Continuous current: 10 A, Plug-in connection
GTIN (EAN)	4032248855988	
Qty.	20 pc(s).	
Type	DRM270012	Version
Order No.	7760056050	D-SERIES DRM, Relay, Number of contacts: 2, CO contact, AgNi flash gold-plated, Rated control voltage: 12 V DC, Continuous current: 10 A, Plug-in connection
GTIN (EAN)	4032248856053	
Qty.	20 pc(s).	
Type	DRM270524	Version
Order No.	7760056055	D-SERIES DRM, Relay, Number of contacts: 2, CO contact, AgNi flash gold-plated, Rated control voltage: 24 V AC, Continuous current: 10 A, Plug-in connection
GTIN (EAN)	4032248856008	
Qty.	20 pc(s).	
Type	DRM270110	Version
Order No.	7760056053	D-SERIES DRM, Relay, Number of contacts: 2, CO contact, AgNi flash gold-plated, Rated control voltage: 110 V DC, Continuous current: 10 A, Plug-in connection
GTIN (EAN)	4032248856022	
Qty.	20 pc(s).	

SCM 4CO ECO

Weidmüller Interface GmbH & Co. KG
Klingenbergstraße 26
D-32758 Detmold
Germany

www.weidmueller.com

Mating connector (fully pluggable)

Type	DRM270548	Version
Order No.	7760056056	D-SERIES DRM, Relay, Number of contacts: 2, CO contact, AgNi flash
GTIN (EAN)	4032248855995	gold-plated, Rated control voltage: 48 V AC, Continuous current: 10 A,
Qty.	20 pc(s).	Plug-in connection
Type	DRM270048	Version
Order No.	7760056052	D-SERIES DRM, Relay, Number of contacts: 2, CO contact, AgNi flash
GTIN (EAN)	4032248856039	gold-plated, Rated control voltage: 48 V DC, Continuous current: 10 A,
Qty.	20 pc(s).	Plug-in connection
Type	DRM270730	Version
Order No.	7760056058	D-SERIES DRM, Relay, Number of contacts: 2, CO contact, AgNi flash
GTIN (EAN)	4032248855971	gold-plated, Rated control voltage: 230 V AC, Continuous current: 10
Qty.	20 pc(s).	A, Plug-in connection
Type	DRM270024	Version
Order No.	7760056051	D-SERIES DRM, Relay, Number of contacts: 2, CO contact, AgNi flash
GTIN (EAN)	4032248856046	gold-plated, Rated control voltage: 24 V DC, Continuous current: 10 A,
Qty.	20 pc(s).	Plug-in connection
Type	DRM270220	Version
Order No.	7760056054	D-SERIES DRM, Relay, Number of contacts: 2, CO contact, AgNi flash
GTIN (EAN)	4032248856015	gold-plated, Rated control voltage: 220 V DC, Continuous current: 10
Qty.	20 pc(s).	A, Plug-in connection

with LED and free-wheel diode



Relay from the D-SERIES DRE.

- 2 or 4 CO contacts
- Compact design
- Wide range of coil voltages
- Integrated with test button (AC red, DC blue)
- Integrated with status display (AC red, DC green) and/or free-wheel diode

General ordering data

Type	DRE570024LD	Version
Order No.	7760054289	D-SERIES DRE, Relay, Number of contacts: 4, CO contact, Ag alloy,
GTIN (EAN)	6944169719974	Rated control voltage: 24 V DC, Continuous current: 3 A, Plug-in
Qty.	20 pc(s).	connection

SCM 4CO ECO

Weidmüller Interface GmbH & Co. KG
 Klingenbergstraße 26
 D-32758 Detmold
 Germany

www.weidmueller.com

Mating connector (fully pluggable)
with LED


- Individual relays within the D-SERIES DRM
- 2 CO contacts
 - AC coils
 - With integrated status LED

General ordering data

Type	DRM270024L AU	Version
Order No.	7760056183	D-SERIES DRM, Relay, Number of contacts: 2, CO contact, AgNi gold-plated, Rated control voltage: 24 V DC, Continuous current: 10 A, Plug-in connection
GTIN (EAN)	4032248922222	
Qty.	20 pc(s).	
Type	DRM270730L AU	Version
Order No.	7760056184	D-SERIES DRM, Relay, Number of contacts: 2, CO contact, AgNi gold-plated, Rated control voltage: 230 V AC, Continuous current: 10 A, Plug-in connection
GTIN (EAN)	4032248922239	
Qty.	20 pc(s).	

with LED


- Individual relays within the D-SERIES DRM
- 2 CO contacts
 - AC coils
 - With integrated status LED

General ordering data

Type	DRM270548L	Version
Order No.	7760056065	D-SERIES DRM, Relay, Number of contacts: 2, CO contact, AgNi flash gold-plated, Rated control voltage: 48 V AC, Continuous current: 10 A, Plug-in connection
GTIN (EAN)	4032248855902	
Qty.	20 pc(s).	
Type	DRM270048L	Version
Order No.	7760056061	D-SERIES DRM, Relay, Number of contacts: 2, CO contact, AgNi flash gold-plated, Rated control voltage: 48 V DC, Continuous current: 10 A, Plug-in connection
GTIN (EAN)	4032248855940	
Qty.	20 pc(s).	
Type	DRM270524L	Version
Order No.	7760056064	D-SERIES DRM, Relay, Number of contacts: 2, CO contact, AgNi flash gold-plated, Rated control voltage: 24 V AC, Continuous current: 10 A, Plug-in connection
GTIN (EAN)	4032248855919	
Qty.	20 pc(s).	
Type	DRM270220L	Version
Order No.	7760056063	D-SERIES DRM, Relay, Number of contacts: 2, CO contact, AgNi flash gold-plated, Rated control voltage: 220 V DC, Continuous current: 10 A, Plug-in connection
GTIN (EAN)	4032248855926	
Qty.	20 pc(s).	

SCM 4CO ECO

Weidmüller Interface GmbH & Co. KG
 Klingenbergstraße 26
 D-32758 Detmold
 Germany

www.weidmueller.com

Mating connector (fully pluggable)

Type	DRM270730L	Version
Order No.	7760056067	D-SERIES DRM, Relay, Number of contacts: 2, CO contact, AgNi flash
GTIN (EAN)	4032248855889	gold-plated, Rated control voltage: 230 V AC, Continuous current: 10
Qty.	20 pc(s).	A, Plug-in connection
Type	DRM270615L	Version
Order No.	7760056066	D-SERIES DRM, Relay, Number of contacts: 2, CO contact, AgNi flash
GTIN (EAN)	4032248855896	gold-plated, Rated control voltage: 115 V AC, Continuous current: 10
Qty.	20 pc(s).	A, Plug-in connection
Type	DRM270110L	Version
Order No.	7760056062	D-SERIES DRM, Relay, Number of contacts: 2, CO contact, AgNi flash
GTIN (EAN)	4032248855933	gold-plated, Rated control voltage: 110 V DC, Continuous current: 10
Qty.	20 pc(s).	A, Plug-in connection
Type	DRM270024L	Version
Order No.	7760056060	D-SERIES DRM, Relay, Number of contacts: 2, CO contact, AgNi flash
GTIN (EAN)	4032248855957	gold-plated, Rated control voltage: 24 V DC, Continuous current: 10 A,
Qty.	20 pc(s).	Plug-in connection
Type	DRM270012L	Version
Order No.	7760056059	D-SERIES DRM, Relay, Number of contacts: 2, CO contact, AgNi flash
GTIN (EAN)	4032248855964	gold-plated, Rated control voltage: 12 V DC, Continuous current: 10 A,
Qty.	20 pc(s).	Plug-in connection

with LED



Relay from the D-SERIES DRE.

- 2 or 4 CO contacts
- Compact design
- Wide range of coil voltages
- Integrated with test button (AC red, DC blue)
- Integrated with status display (AC red, DC green) and/ or free-wheel diode

General ordering data

Type	DRE570730L	Version
Order No.	7760054288	D-SERIES DRE, Relay, Number of contacts: 4, CO contact, Ag alloy,
GTIN (EAN)	6944169719967	Rated control voltage: 230 V AC, Continuous current: 3 A, Plug-in
Qty.	20 pc(s).	connection
Type	DRE570548L	Version
Order No.	7760054286	D-SERIES DRE, Relay, Number of contacts: 4, CO contact, Ag alloy,
GTIN (EAN)	6944169719943	Rated control voltage: 48 V AC, Continuous current: 3 A, Plug-in
Qty.	20 pc(s).	connection
Type	DRE570048L	Version
Order No.	7760054283	D-SERIES DRE, Relay, Number of contacts: 4, CO contact, Ag alloy,
GTIN (EAN)	6944169719912	Rated control voltage: 48 V DC, Continuous current: 3 A, Plug-in
Qty.	20 pc(s).	connection
Type	DRE570012L	Version
Order No.	7760054281	D-SERIES DRE, Relay, Number of contacts: 4, CO contact, Ag alloy,
GTIN (EAN)	6944169719899	Rated control voltage: 12 V DC, Continuous current: 3 A, Plug-in
Qty.	20 pc(s).	connection

Creation date January 5, 2022 12:47:26 PM CET

Catalogue status 17.12.2021 / We reserve the right to make technical changes.

SCM 4CO ECO

Weidmüller Interface GmbH & Co. KG
 Klingenbergstraße 26
 D-32758 Detmold
 Germany

www.weidmueller.com

Mating connector (fully pluggable)

Type	DRE570110L	Version
Order No.	7760054284	D-SERIES DRE, Relay, Number of contacts: 4, CO contact, Ag alloy,
GTIN (EAN)	6944169719929	Rated control voltage: 110 V DC, Continuous current: 3 A, Plug-in
Qty.	20 pc(s).	connection
Type	DRE570524L	Version
Order No.	7760054285	D-SERIES DRE, Relay, Number of contacts: 4, CO contact, Ag alloy,
GTIN (EAN)	6944169719936	Rated control voltage: 24 V AC, Continuous current: 3 A, Plug-in
Qty.	20 pc(s).	connection
Type	DRE570024L	Version
Order No.	7760054282	D-SERIES DRE, Relay, Number of contacts: 4, CO contact, Ag alloy,
GTIN (EAN)	6944169719905	Rated control voltage: 24 V DC, Continuous current: 3 A, Plug-in
Qty.	20 pc(s).	connection
Type	DRE570615L	Version
Order No.	7760054287	D-SERIES DRE, Relay, Number of contacts: 4, CO contact, Ag alloy,
GTIN (EAN)	6944169719950	Rated control voltage: 115 V AC, Continuous current: 3 A, Plug-in
Qty.	20 pc(s).	connection

with LED and test button



Individual relays within the D-SERIES DRM

- 2 CO contacts
- AC coils
- With integrated status LED and test button

General ordering data

Type	DRM270730LT AU	Version
Order No.	7760056186	D-SERIES DRM, Relay, Number of contacts: 2, CO contact, AgNi gold-
GTIN (EAN)	4032248922253	plated, Rated control voltage: 230 V AC, Continuous current: 10 A,
Qty.	20 pc(s).	Plug-in connection
Type	DRM270024LT AU	Version
Order No.	7760056185	D-SERIES DRM, Relay, Number of contacts: 2, CO contact, AgNi gold-
GTIN (EAN)	4032248922246	plated, Rated control voltage: 24 V DC, Continuous current: 10 A,
Qty.	20 pc(s).	Plug-in connection

SCM 4CO ECO

Weidmüller Interface GmbH & Co. KG
 Klingenbergstraße 26
 D-32758 Detmold
 Germany

www.weidmueller.com

Mating connector (fully pluggable)

with LED and free-wheel diode



dividual relays within the D-SERIES DRM

- 2 CO contacts
- DC coils
- With integrated status LED and free-wheeling diode

General ordering data

Type	DRM270024LD	Version
Order No.	7760056077	D-SERIES DRM, Relay, Number of contacts: 2, CO contact, AgNi flash
GTIN (EAN)	4032248855780	gold-plated, Rated control voltage: 24 V DC, Continuous current: 10 A,
Qty.	20 pc(s).	Plug-in connection
Type	DRM270024LD	Version
Order No.	7760056124	D-SERIES DRM, Relay, Number of contacts: 2, CO contact, AgNi flash
GTIN (EAN)	4032248855544	gold-plated, Rated control voltage: 24 V DC, Continuous current: 10 A,
Qty.	20 pc(s).	Plug-in connection

SCM 4CO ECO

Weidmüller Interface GmbH & Co. KG
 Klingenbergstraße 26
 D-32758 Detmold
 Germany

www.weidmueller.com

Accessories

LED / free-wheel diode



Pluggable protective modules for the D-SERIES relay sockets, with optional protective functions.

- With green LED and free-wheeling diode

General ordering data

Type	RIM 2 6/24VDC	Version
Order No.	7760056015	D-SERIES, LED module with freewheel diode, Rated control voltage:
GTIN (EAN)	4032248878116	6...24 V DC, Plug-in connection
Qty.	10 pc(s).	
Type	RIM 2 24/60VDC	Version
Order No.	7760056016	D-SERIES, LED module with freewheel diode, Rated control voltage:
GTIN (EAN)	4032248878123	24...60 V DC, Plug-in connection
Qty.	10 pc(s).	
Type	RIM 2 110/230VDC	Version
Order No.	7760056017	D-SERIES, LED module with freewheel diode, Rated control voltage:
GTIN (EAN)	4032248896615	110...230 V DC, Plug-in connection
Qty.	10 pc(s).	

Cross-connection for socket with screw connection

Cross-connection for the sockets in the D-SERIES DRM.



General ordering data

Type	SCM-H QV S	Version
Order No.	1132080000	RIDERSERIES RCM, Cross-connector
GTIN (EAN)	4032248912193	
Qty.	10 pc(s).	

SCM 4CO ECO

Weidmüller Interface GmbH & Co. KG
 Klingenbergstraße 26
 D-32758 Detmold
 Germany

www.weidmueller.com

Accessories

Custom printing



ESG is the tried-and-tested marker in MultiCard format for use on many well-known electrical devices. The result is high-quality device marking with a high-contrast appearance.

Various types are available for devices from manufacturers like Siemens, ABB, Beckhoff etc. Advantages at a glance:

- Tags for universal usage, self-adhesive or clip-on tags, depending on type
- For aligned equipment, e.g. circuit breakers, we supply ESG markers for clipping onto tag rails
- Individual laser-quality printing according to specifications

For custom printing: Please send us a file of our labeling software M-Print PRO or M-Print PRO Online (without installation) for your labeling specifications.

General ordering data

Type	ESG 9/26 SCM ECO MC SDR	Version
Order No.	1525800000	ESG, Device markers x 26 mm, PA 66, Colour: To customer
GTIN (EAN)	4050118331875	specification
Qty.	80 pc(s).	

Crosshead screwdriver Phillips



Crosshead screwdriver, Phillips, SDK PH DIN 5262, ISO 8764/2-PH, output to ISO 8764-PH, ChromTop tip, SoftFinish grip

General ordering data

Type	SDK PH1 X 80	Version
Order No.	2749410000	Screwdriver, Blade length: 80 mm
GTIN (EAN)	4050118895636	
Qty.	1 pc(s).	

SCM 4CO ECO

Weidmüller Interface GmbH & Co. KG
 Klingenbergstraße 26
 D-32758 Detmold
 Germany

www.weidmueller.com

Accessories

Crosshead screwdriver Phillips



VDE insulated crosshead screwdriver, for Phillips screws, SDIK PH DIN 7438, ISO 8764/2-PH, output to ISO 8764-PH, SoftFinish grip

General ordering data

Type	SDIK PH1 X 80	Version
Order No.	2749890000	Screwdriver, Blade length: 80 mm
GTIN (EAN)	4050118897098	
Qty.	1 pc(s).	

Retaining clips



Retaining clip for D-SERIES DRM relays
 • Metal and plastic retaining clip

General ordering data

Type	SCM CLIP P	Version
Order No.	7760056367	D-SERIES DRM, Retaining clip
GTIN (EAN)	6944169773334	
Qty.	5 pc(s).	
Type	DRM/DRL CLIP M	Version
Order No.	7760056108	D-SERIES, Retaining clip
GTIN (EAN)	4032248855568	
Qty.	10 pc(s).	

SCM 4CO ECO

Weidmüller Interface GmbH & Co. KG
 Klingenbergstraße 26
 D-32758 Detmold
 Germany

www.weidmueller.com

Accessories

Protection modules



Pluggable protective modules for the D-SERIES relay sockets, with optional protective functions.

- With free-wheeling diode or RC filter

General ordering data

Type	RIM 3 110/230VAC	Version
Order No.	7760056014	D-SERIES, RC filter, Rated control voltage: 110...230 V AC, Plug-in connection
GTIN (EAN)	4032248878109	
Qty.	10 pc(s).	
Type	RIM 1 6/230VDC	Version
Order No.	7760056169	D-SERIES, Free-wheeling diode, Rated control voltage: 6...230 V, Plug-in connection
GTIN (EAN)	4032248967728	
Qty.	10 pc(s).	
Type	RIM 3 110/230VAC LED	Version
Order No.	7760056045	D-SERIES, RC filter, Rated control voltage: 110...230 V AC, Plug-in connection
GTIN (EAN)	4032248878147	
Qty.	10 pc(s).	

Blank



ESG is the tried-and-tested marker in MultiCard format for use on many well-known electrical devices. The result is high-quality device marking with a high-contrast appearance.

Various types are available for devices from manufacturers like Siemens, ABB, Beckhoff etc.

Advantages at a glance:

- Tags for universal usage, self-adhesive or clip-on tags, depending on type
- For aligned equipment, e.g. circuit breakers, we supply ESG markers for clipping onto tag rails
- Individual laser-quality printing according to specifications

For custom printing: Please send us a file of our labeling software M-Print PRO or M-Print PRO Online (without installation) for your labeling specifications.

General ordering data

Type	ESG 9/26 SCM ECO MC NE ...	Version
Order No.	1521000000	ESG, Device markers x 26 mm, PA 66, Colour: grey
GTIN (EAN)	4050118327878	
Qty.	80 pc(s).	

SCM 4CO ECO

Weidmüller Interface GmbH & Co. KG
 Klingenbergstraße 26
 D-32758 Detmold
 Germany

www.weidmueller.com

Accessories

Type	ESG 9/26 SCM ECO MC NE ...	Version
Order No.	1520990000	ESG, Device markers x 26 mm, PA 66, Colour: yellow
GTIN (EAN)	4050118327861	
Qty.	80 pc(s).	

Type	ESG 9/26 SCM ECO MC NE ...	Version
Order No.	1520980000	ESG, Device markers x 26 mm, PA 66, Colour: white
GTIN (EAN)	4050118327939	
Qty.	80 pc(s).	

LED



Pluggable protective modules for the D-SERIES relay sockets, with optional protective functions.

- With green LED

General ordering data

Type	RIM 3 110/230VUC	Version
Order No.	7940018455	D-SERIES, LED module, Rated control voltage: 110...230 V UC, Plug-in connection
GTIN (EAN)	4032248878185	
Qty.	20 pc(s).	

Type	RIM 3 24/60VUC	Version
Order No.	7760056018	D-SERIES, LED module, Rated control voltage: 24...60 V UC, Plug-in connection
GTIN (EAN)	4032248878130	
Qty.	10 pc(s).	

Type	RIM 3 6/24VUC	Version
Order No.	7940018457	D-SERIES, LED module, Rated control voltage: 6...24 V UC, Plug-in connection
GTIN (EAN)	4032248878192	
Qty.	20 pc(s).	